

2100/2120/2130 2140/2150

Floor Machine
Máquina de fregar

Model No.:

801371 - 2100 (120V/60Hz)

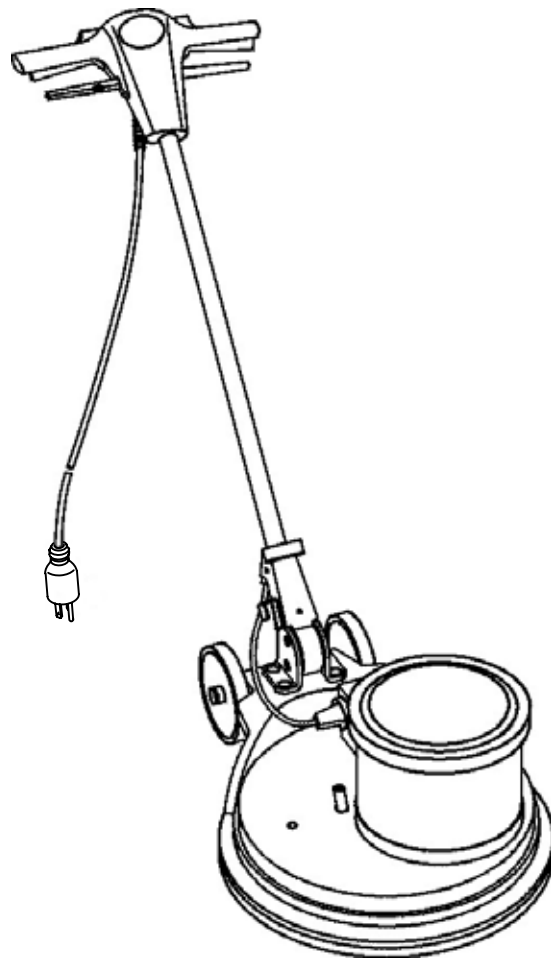
801342 - 2120 (120V/60Hz)

801366 - 2130 (120V/60Hz)

801361 - 2140 (120V/60Hz)

801364 - 2150 (120V/60Hz)

**Operator and Parts Manual
Manual del Operador y Piezas**



TENNANT COMPANY
701 NORTH LILAC DRIVE
MINNEAPOLIS, MN 55422

MAILING ADDRESS:
TENNANT COMPANY
P.O. BOX 1452
MINNEAPOLIS, MN 55440-1452

CUSTOMER SERVICE:
1-800-982-7658
1-763-513-2850

FAX: 1-800-678-4240
1-763-513-2142

TECHNICAL SUPPORT:
1-800-522-7839 EXT. 5356

801348
Rev. 03 (07-03)

IMPORTANT SAFETY INSTRUCTIONS

When using an electrical appliance, basic precautions should always be followed, including the following:

READ ALL INSTRUCTIONS BEFORE USING (THIS APPLIANCE)

WARNING - To reduce the risk of fire, explosion, electric shock, or injury:

1. Do not use appliance with flammable or combustible liquids/fumes such as gasoline or use in areas where they may be present.
2. Do not handle plug or appliance with wet hands, electric shock or personal injury may occur.
3. Do not use with damaged cord or plug, electric shock or personal injury may occur. If appliance is not working as it should, has been dropped, damaged, left outdoors, or dropped into water, return it to a service center.
4. Do not leave appliance when plugged in. Unplug from outlet when not in use and before servicing.
5. Use only commercially available floor cleaners and waxes intended for machine application.
6. Do not allow to be used as a toy. Close attention is necessary when used by or near children.
7. Use only as described in this manual. Use only manufacturer's recommended attachments.
8. Do not pull or carry by cord, use cord as a handle, close a door on cord, or pull cord around sharp edges or corners. Do not run appliance over cord. Keep cord away from heated surfaces.
9. Do not unplug by pulling on cord. To unplug, grasp the plug, not the cord.
10. Do not put any object into openings. Do not use with any opening blocked; keep free of dust, lint, hair, and anything that may reduce air flow.
11. Keep hair, loose clothing, fingers, and all parts of body away from openings and moving parts.
12. Turn off all controls before unplugging.
13. Use extra care when cleaning on stairs.
14. Use indoors only. Do not use outdoors and do not expose to rain.

SAVE THESE INSTRUCTIONS

LIRE TOUTES LES INSTRUCTIONS AVANT DE FAIRE FONCTIONNER

(CET APPAREIL)

⚠ ADVERTISSEMENT - Pour réduire les risques d'incendie, l'explosion, de choc électrique ou de blessure:

1. Ne pas aspirer des liquides/vapeurs inflammables ou combustibles, comme de l'essence, et ne pas faire fonctionner dans des endroits où peuvent se trouver de tels liquides.
2. Ne pas toucher la fiche ou l'appareil lorsque vos mains sont humides, la décharge électrique ou blessures peut se produire.
3. Ne pas utiliser si le cordon ou la fiche est endommagé, la décharge électrique ou blessures peut se produire. Retourner l'appareil à un atelier de réparation s'il ne fonctionne pas bien, s'il est tombé ou s'il a été endommagé, oublié à l'extérieur ou immergé.
4. Ne pas laisser l'appareil sans surveillance lorsqu'il est branché. Débrancher lorsque l'appareil n'est pas utilisé et avant l'entretien.
5. Utiliser des produits nettoyants et des cires offerts sur le marché pour l'application à la machine.
6. Ne pas permettre aux enfants de jouer avec l'appareil. Une attention particulière est nécessaire lorsque l'appareil est utilisé par des enfants ou à proximité de ces derniers.
7. Utiliser que conformément à cette notice avec les accessoires recommandés par le fabricant.
8. Ne pas tirer, soulever ou traîner l'appareil par le cordon. Ne pas utiliser le cordon comme une poignée, le coincer dans l'embrasure d'une porte ou l'appuyer contre des arêtes vives ou des coins. Ne pas faire rouler l'appareil sur le cordon. Garder le cordon à l'écart des surfaces chaudes.
9. Ne pas débrancher en tirant sur le cordon. Tirer plutôt la fiche.
10. N'insérer aucun objet dans les ouvertures. Ne pas utiliser l'appareil lorsqu'une ouverture est bloquée. S'assurer que de la poussière, de la peluche, des cheveux ou d'autres matières ne réduisent pas le débit d'air.
11. Maintenir les cheveux, les vêtements amples, les doigts et toutes les parties du corps à l'écart des ouvertures et des pièces mobiles.
12. Mettre toutes les commandes à la position ARRÊT avant de débrancher l'appareil.
13. User de prudence lors du nettoyage des escaliers.
14. Utiliser à l'intérieur seulement. N'entrez pas la machine à l'extérieur et évitez qu'elle ne soit mouillée.

INSTRUCCIONES IMPORTANTES DE SEGURIDAD

Deben observarse siempre instrucciones básicas de seguridad al usar artefactos eléctricos incluyendo las siguientes:

LEER TODAS LAS INSTRUCCIONES DE SEGURIDAD ANTES DE USAR (ESTE ARTEFACTO)

ADVERTENCIA – Para reducir el riesgo de incendio, choque eléctrico o lesiones:

1. No use el artefacto con líquidos/humos inflamables o combustibles tales como gasolina o usar en áreas donde pueden estar presentes.
2. No maneje el enchufe o el artefacto con manos mojadas, ya que puede ocurrir choque eléctrico o lesiones personales.
3. No use con cordón o enchufe dañados, ya que puede ocurrir choque eléctrico o lesiones personales. Si el artefacto no está funcionando bien, se ha dejado caer, se ha dañado, dejado al aire libre, o dejado caer al agua, devuélvalo al centro de servicio.
4. No dejar el artefacto desatendido cuando está enchufado. Desenchufar del tomacorrientes cuando no se usa y antes de prestar servicio.
5. Usar sólo limpiadores de piso y ceras comercialmente disponibles destinadas para aplicación a máquina.
6. No permitir que se use como un juguete. Se requiere mucha atención cuando se usa por o cerca de los niños.
7. Usar sólo según se describe en este manual. Usar sólo los aditamentos recomendados por el fabricante.
8. No tirar de ni arrastrar por el cordón, no usar el cordón como un mango, no cerrar la puerta sobre el cordón ni tirar del cordón sobre bordes o esquinas aguzadas. No pasar el artefacto sobre el cordón. Mantener el cordón alejado de superficies calientes.
9. No desenchufar tirando del cordón. Para desenchufar, sujetar el enchufe, no el cordón.
10. No colocar objetos en las aberturas. No usar con aberturas bloqueadas, mantener libre de polvo, pelusa, cabellos y todo lo que pueda reducir el flujo de aire.
11. Mantener el cabello, ropas holgadas, dedos, y todas las partes del cuerpo alejadas de las aberturas y piezas móviles.
12. Antes de desenchufar apagar todos los controles.
13. Ser muy precavido al limpiar sobre escaleras.
14. Usar siempre bajo techo. No usar al aire libre ni sobre superficies mojadas.

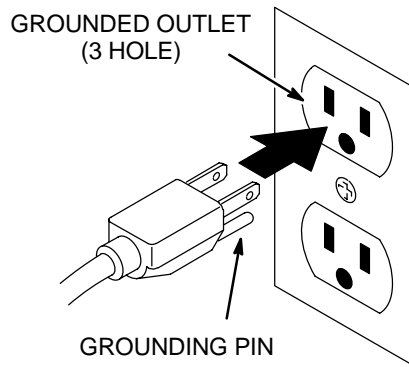
MANTENER ESTE INSTRUCCIONES

GROUNDING INSTRUCTIONS

This appliance must be grounded. If it should malfunction or breakdown, grounding provides a path of least resistance for electric current to reduce the risk of electric shock. This appliance is equipped with a cord having an equipment–grounding conductor and grounding plug. The plug must be plugged into an appropriate outlet that is properly installed and grounded in accordance with all local codes and ordinances.

⚠ WARNING – Improper connection of the equipment–grounding conductor can result in a risk of electric shock. Check with a qualified electrician or service person if you are in doubt as to whether the outlet is properly grounded. Do not modify the plug provided with the appliance – if it will not fit the outlet, have a proper outlet installed by a qualified electrician.

This appliance is for use on a nominal 120–volt circuit and has a grounding attachment plug that looks like the plug illustrated in sketch. Make sure that the appliance is connected to an outlet having the same configuration as the plug. No adaptor should be used with this appliance.



INSTRUCTIONS VISANT LA MISE 'A LA TERRE

Cet appareil doit être mis à la terre. En cas de défaillance ou de panne éventuelles, la mise à la terre fournit au courant un chemin de moindre résistance qui réduit le risque de choc électrique. Cet appareil est pourvu d'un cordon muni d'un conducteur de terre et d'une fiche avec broche de terre. La fiche doit être branchée dans une prise appropriée correctement installée et mise à la terre conformément aux règlements et ordonnances municipaux.

AVERTISSEMENT. Un conducteur de terre mal raccordé peut entraîner un risque de choc électrique. Consulter un électricien ou un technicien d'entretien qualifié si vous n'êtes pas certain que la prise est correctement mise à la terre. Ne pas modifier la fiche fournie avec l'appareil – si elle ne peut être insérée dans la prise, faire installer une prise adéquate par un électricien qualifié.

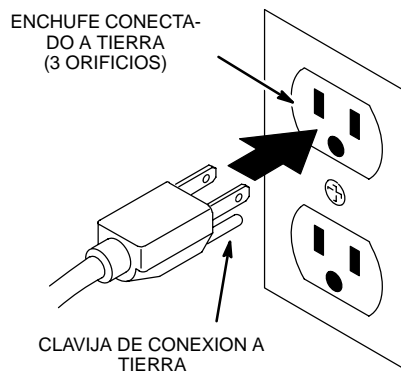
Cet appareil est destiné à un circuit de 120 v et est muni d'une fiche de mise à la terre semblable à celle illustrée par le croquis. S'assurer que l'appareil est branché à une prise de courant ayant la même configuration que la fiche. Aucun adaptateur ne devrait être utilisé avec cet appareil.

INSTRUCCIONES DE CONEXION A TIERRA

Este artefacto debe conectarse a tierra. Si funciona mal o se descompone, la conexión a tierra provee una trayectoria de menor resistencia para la corriente eléctrica, para reducir el riesgo de choque eléctrico. Este artefacto está provisto con un cordón que tiene un conductor de conexión a tierra del equipo y un enchufe de conexión a tierra. El enchufe debe enchufarse a un tomacorrientes apropiado que esté correctamente instalado y conectado a tierra de acuerdo con todos los códigos y ordenanzas locales.

⚠ ADVERTENCIA: La conexión incorrecta del conductor de conexión a tierra del equipo puede resultar en un riesgo de choque eléctrico. Consultar con un electricista calificado o persona de servicio si existen dudas acerca de si el tomacorrientes está correctamente conectado a tierra. No se debe modificar el enchufe provisto con el artefacto – si no se inserta en el tomacorrientes hacer que un electricista calificado instale un tomacorrientes correcto.

Este artefacto es para usar en un circuito nominal de 120 voltios y tiene un enchufe de aditamento para conectar a tierra que se parece al enchufe ilustrado en la figura. Asegurarse que el artefacto esté conectado a un tomacorrientes con la misma configuración que el enchufe. No se debe usar un adaptador con este artefacto.



This manual is furnished with each new model. It provides necessary operation and maintenance instructions and an illustrated parts list.

Read this manual completely and understand the machine before operating or servicing it.

Use the illustrated Parts List to order replacement parts. Before ordering parts or supplies, be sure to have your machine model number and serial number available. Parts and supplies may be ordered by phone or mail from any authorized parts and service center, distributor or from any of the manufacturer's subsidiaries.

This machine will provide excellent service. However, the best results will be obtained at minimum costs if:

- The machine is operated with reasonable care.
- The machine is maintained regularly - per the maintenance instructions provided.
- The machine is maintained with manufacturer supplied or equivalent parts.

TABLE OF CONTENTS

SAFETY PRECAUTIONS	8	STORING MACHINE	14
GROUNDING INSTRUCTIONS	9	TRANSPORTING MACHINE	15
WARNING LABELS	10	RECOMMENDED STOCK ITEMS	15
MACHINE COMPONENTS	11	TROUBLE SHOOTING	15
MACHINE ASSEMBLY	11	SPECIFICATIONS	16
ATTACHING HANDLE TO BASE	11	MACHINE DIMENSIONS	16
ATTACHING OPTIONAL SOLUTION TANK .	11	ELECTRICAL DIAGRAMS	28
MACHINE SETUP	12	PARTS LIST	30
INSTALLING PAD DRIVER / PAD / BRUSH	12	2100/2120/2130/2140/2150	
MACHINE OPERATION	13	HANDLE GROUP	30
OPERATING MACHINE	13	2100 BASE GROUP	32
OPERATING THE OPTIONAL		2120 BASE GROUP	34
SOLUTION TANK	14	2130/2140/2150 BASE GROUP	36
MACHINE MAINTENANCE	14	OPTIONS	38
		REPLACEMENT BRUSHES AND	
		PAD DRIVER GROUP	38
		SOLUTION TANK GROUP	39

MACHINE DATA

Please fill out at time of installation for future reference.

Model No.- _____

Install. Date - _____

Serial No.- _____

© 2002, 2003 Tennant Company Printed in the Czech Republic


OPERATION

SAFETY PRECAUTIONS

This machine is intended for commercial use only. It is designed exclusively to scrub floors in an indoor environment and is not constructed for any other use. Use only recommended pads/brushes and commercially available floor cleaners and waxes intended for machine application.

All operators must read, understand and practice the following safety precautions.

The following warning alert symbol and the "FOR SAFETY" heading are used throughout this manual as indicated in their description:


 **WARNING:** To warn of hazards or unsafe practices which could result in severe personal injury or death.

FOR SAFETY: To identify actions which must be followed for safe operation of equipment.

Failure to follow these warnings may result in: personal injury, electrocution, electric shock, fire or explosion:

 **WARNING:** Do Not Use Flammable Liquids Or Operate Machine In Or Near Flammable Liquids, Vapors Or Combustible Dusts.

This machine is not equipped with an explosion proof motor. The electric motor will spark upon start up and during operation which could cause a flash fire or explosion if machine is used in an area where flammable vapors/liquids or combustible dusts are present.

 **WARNING:** Do Not Operate With Damaged Power Cord. Do Not Modify Plug. Unplug Power Cord Before Servicing Machine

If the supply cord is damaged or broken, it must be replaced by the manufacturer or it's service agent or a similarly qualified person in order to avoid a hazard.

 **WARNING:** Do Not Use Outdoors. Do Not Expose to Rain. Store Indoors.

The following information signals potentially dangerous conditions to the operator or equipment:

FOR SAFETY:

1. Do not operate machine:
 - With flammable liquids or near flammable vapors as an explosion or flash fire may occur.

- Unless trained and authorized.
 - Unless operator manual is read and understood.
 - Unless cord is properly grounded.
 - With damaged cord or plug.
 - If not in proper operating condition.
 - In outdoor areas.
 - In standing water.
 - With the use of an extension cord.
2. Before operating machine:
 - Make sure all safety devices are in place and operate properly.
 - Place wet floor signs as needed.
 - Remove loose objects on floor to prevent dangerous projectiles if struck by spinning pad.
 3. When using machine:
 - Stay clear of spinning pad.
 - Do not run machine over cord.
 - Do not pull machine by plug or cord.
 - Do not pull cord around sharp edges or corners.
 - Wear non-slip shoes.
 - Do not close doors on cord.
 - Do not unplug by pulling on cord.
 - Do not stretch cord.
 - Do not handle plug with wet hands.
 - Keep cord away from heated surfaces.
 - Never activate the power when the handle is in the upright position.
 - Do not release handles until pad comes to a complete stop.
 - Go slow on inclines and slippery surfaces.
 - Never allow children to play on or around.
 - Report machine damage or faulty operation immediately.
 - Follow mixing and handling instructions on chemical containers.
 4. Before leaving machine:
 - Turn off machine.
 - Unplug cord from wall outlet.
 5. When servicing machine:
 - Unplug cord from wall outlet.
 - Avoid moving parts. Do not wear loose jackets, shirts, or sleeves.
 - Use manufacturer supplied or approved replacement parts.
 - All repairs must be performed by a qualified service person.
 - Do not modify the machine from it's original design.

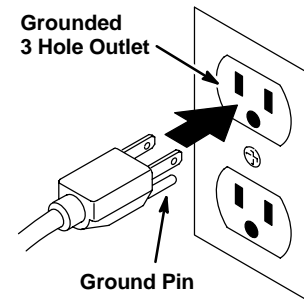
6. When transporting machine:

- Get assistance when lifting machine.
- Unplug cord from wall outlet.
- Use tie-down straps to secure machine to truck or trailer.

GROUNDING INSTRUCTIONS

Machine must be grounded. If it should malfunction or breakdown, grounding provides a path of least resistance for electrical current to reduce the risk of electrical shock. This machine is equipped with a cord having an equipment-grounding conductor and grounding plug.

The plug must be plugged into an appropriate outlet that is properly installed in accordance with all local codes and ordinances. Do not remove ground pin; if missing, replace plug before use.





OPERATION

WARNING LABELS

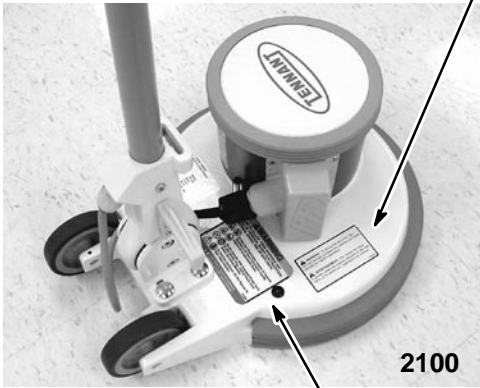
The warning labels appear on the machine in the locations indicated. Replace labels if they become damaged or illegible.

WARNING LABEL –
Located on base (2100)
Located on capacitor housing (2120/2130/2140/2150)

 **WARNING:** To reduce the risk of fire, use only commercially available floor cleaners and waxes intended for machine application.

 **AVERTISSEMENT:** Pour réduire les risques d'incendie, utiliser des produits nettoyants et des cires offerts sur le marché pour l'application à la machine.

602597



WARNING LABEL – Located on base.

 **WARNING**

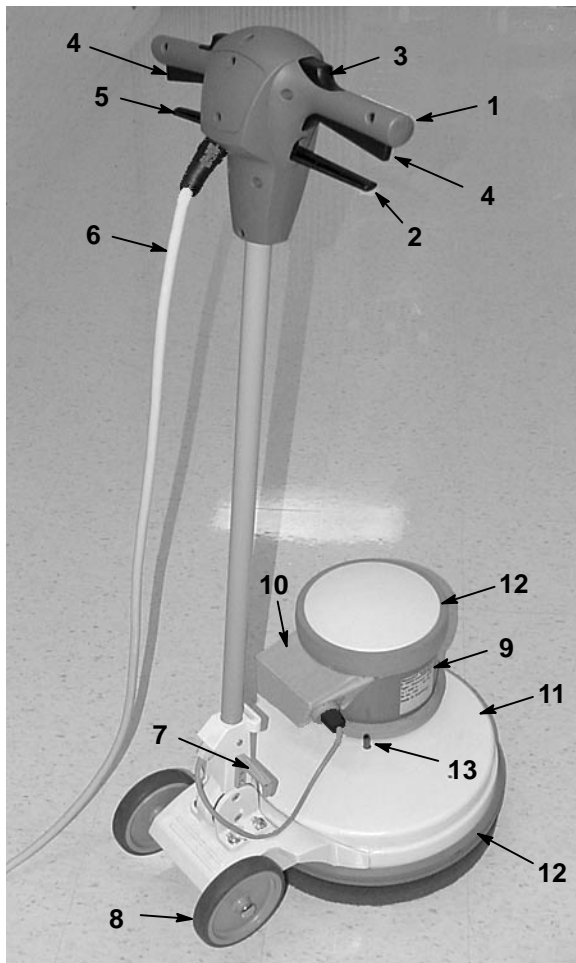
FAILURE TO FOLLOW THESE WARNINGS MAY RESULT IN: PERSONAL INJURY, ELECTROCUTION, ELECTRICAL SHOCK, FIRE OR EXPLOSION.

-   Do Not Use Flammable Liquids Or Operate Machine In Or Near Flammable Liquids, Vapors Or Combustible Dusts.
-   Do Not Operate With Damaged Power Cord. Do Not Modify Plug. Unplug Power Cord Before Servicing Machine.
-   Do Not Use Outdoors. Do Not Expose To Rain. Store Indoors.

613286

 **FOR SAFETY: READ THE OWNER'S MANUAL BEFORE USING MACHINE.**

MACHINE COMPONENTS



1. Control Handle
2. Handle Height Adjustment lever
3. Safety Lock Levers
4. On/Off Levers
5. Solution Control Lever for Optional Solution Tank
6. Power Cord
7. Power Cord Storing Hook
8. Transport Wheels
9. Motor
10. Capacitor Housing
11. Scrub Head Base
12. Bumper
13. Solution Supply Connector for Optional Solution Tank

MACHINE ASSEMBLY

Carefully check carton for signs of damage. Report damages at once to carrier.

ATTACHING HANDLE TO BASE

1. Position the handle assembly on the base as shown. Insert (4) screws, supplied, through the top of the handle support and into the machine base. From bottom side of base, secure screws with nuts and washers (12 N-m / 8.85 ft-Lbs torque), 13 mm wrench required (Figure 1).
2. Connect the power cord into the switch housing receptacle (Figure 1).

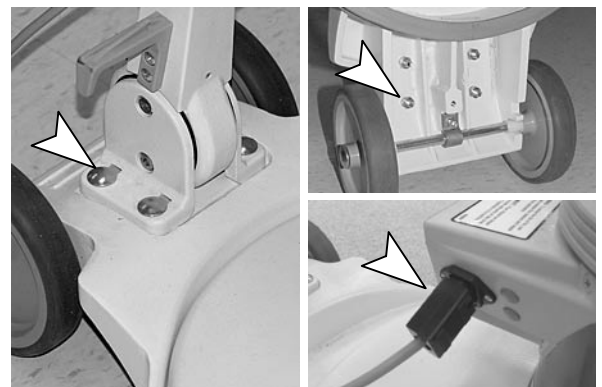


FIG. 1

ATTACHING OPTIONAL SOLUTION TANK

1. Attach the upper solution tank support bracket to the handle as shown, do not tighten screws at this time, 5 mm allen wrench required (Figure 2).

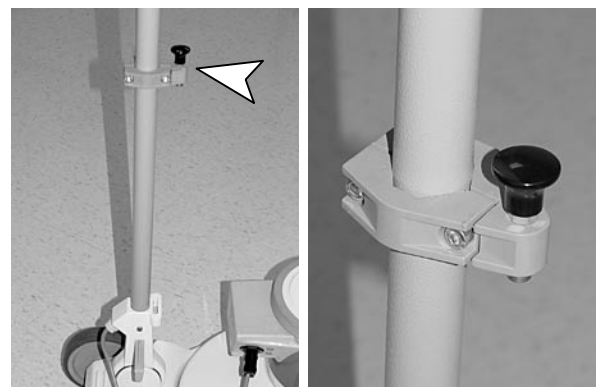


FIG. 2

2. Insert the tab at the bottom of the solution tank into the tank support slot located near the handle base as shown. Secure the top of the tank with the upper support bracket as shown. Then tighten the upper support bracket screws (Figure 3).

OPERATION

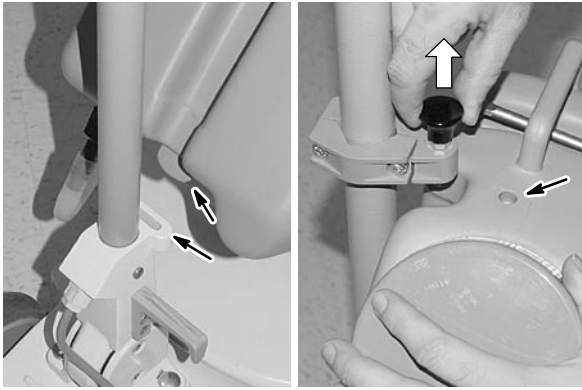


FIG. 3

3. Connect the chain to the solution control lever. Connect the solution feed tube to the solution supply connector on the machine base (Figure 4).

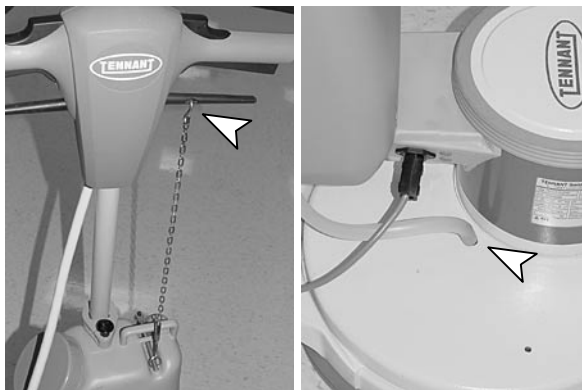


FIG. 4

⚠ WARNING: To reduce the risk of fire, use only commercially available floor cleaners and waxes intended for machine operation.

⚠ WARNING: Do Not Use Flammable Liquids Or Operate Machine In Or Near Flammable Liquids, Vapors Or Combustible Dusts.

This machine is not equipped with an explosion proof motor. The electric motor will spark upon start up and during operation which could cause a flash fire or explosion if machine is used in an area where flammable vapors/liquids or combustible dusts are present.

FOR SAFETY: When using machine, follow mixing and handling instructions on chemical containers.

MACHINE SETUP

INSTALLING PAD DRIVER / PAD / BRUSH

FOR SAFETY: Before leaving or servicing machine, unplug cord from wall outlet.

1. Pull the handle height adjustment lever and raise the handle to the upright position. Carefully tilt the machine backwards and rest the handle on the floor (Figure 5).

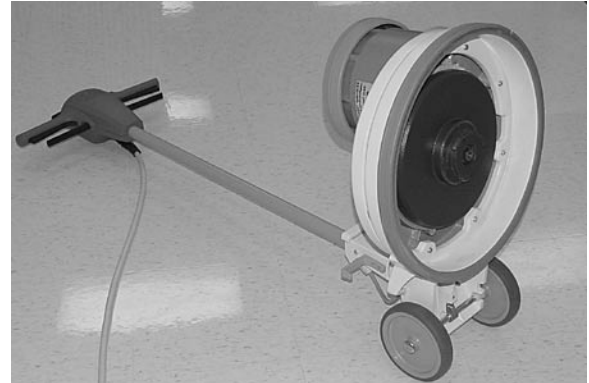


FIG. 5

2. Position pad on pad driver. If machine is equipped with plastic centerlock, secure pad with lock (Figure 6).

NOTE: Consult your authorized distributor for pad and brush recommendations. Use only manufacturer supplied or approved pad drivers and brushes.

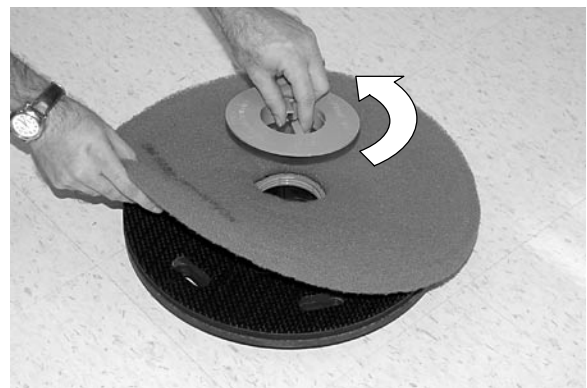


FIG. 6

3. Position the pad driver/brush on the drive motor hub and turn it counter-clockwise to engage (Figure 7).

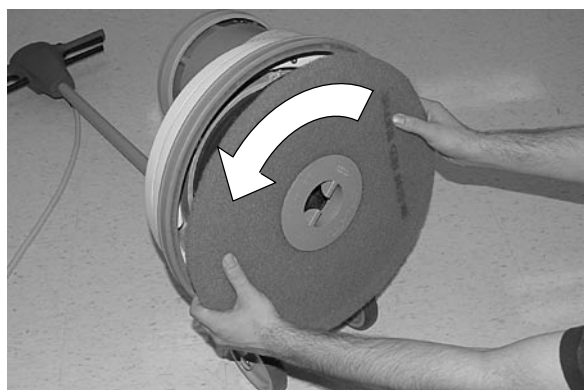


FIG. 7

4. Return machine to the upright position.

MACHINE OPERATION

FOR SAFETY: Do not operate machine unless operator manual is read and understood.

OPERATING MACHINE

⚠ WARNING: Do Not Use Flammable Liquids Or Operate Machine In Or Near Flammable Liquids, Vapors Or Combustible Dusts.

This machine is not equipped with an explosion proof motor. The electric motor will spark upon start up and during operation which could cause a flash fire or explosion if machine is used in an area where flammable vapors/liquids or combustible dusts are present.

1. Plug the power cord into a grounded wall outlet (Figure 8).

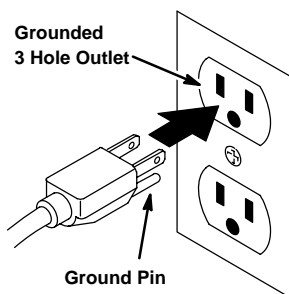


FIG. 8

FOR SAFETY: Do not operate machine unless cord is properly grounded. Do not operate machine with damaged cord or plug. Do not operate machine with the use of an extension cord.

2. Lower the handle to a desired operating height by pulling the handle height adjustment lever. Release lever to engage handle (Figure 9).

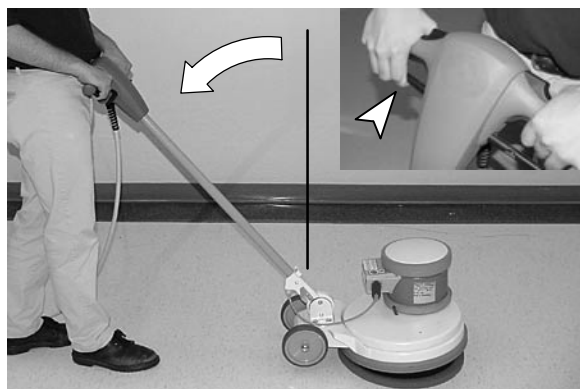


FIG. 9

3. Before starting the machine, hold the handle so the machine base is parallel to floor (Figure 10). This will reduce the abrupt jolt when starting the machine.

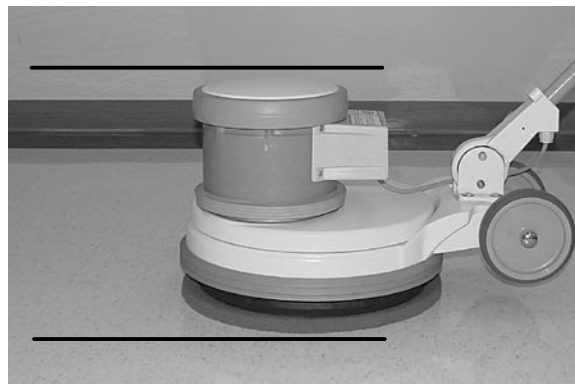


FIG. 10

NOTE: For first time users, practice with a polishing pad which is less aggressive.

4. To begin scrubbing, hold the handles firmly, depress the safety lock levers and pull the On/Off levers. Release safety lock lever once machine starts (Figure 11).

ATTENTION: Use caution when starting out, the machine will jolt when the On/Off levels are activated.

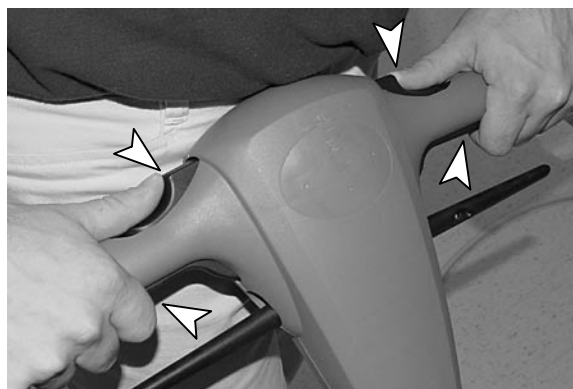


FIG. 11

OPERATION

- To move the machine left (A), slightly lower the handle. To move right (B), slightly raise the handle. Operate the machine with a side to side motion (Figure 12).

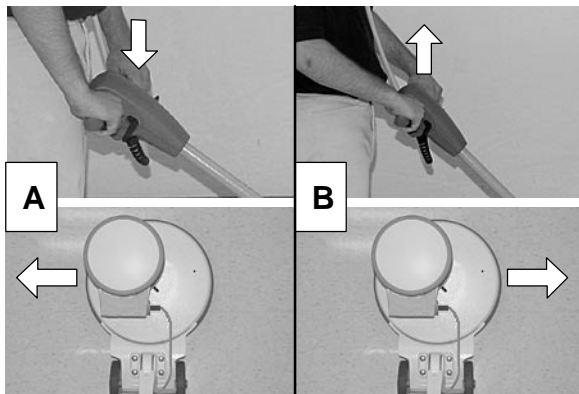


FIG. 12

- To stop machine, release the On/Off levers and hold handles firmly until machine comes to a complete stop. The safety lock lever will automatically engage.

FOR SAFETY: When using machine, do not release handles until pad comes to a complete stop.

- Do not operate the machine in the same spot for a long period of time. Floor damage may result.
- To maneuver over thresholds and floor grates, stop the machine and tilt it back on the transport wheels.
- When machine is not in use, do not leave machine standing on the pad/brush. Pad/brush damage may result.
- When done scrubbing perform the following machine maintenance procedures.

OPERATING THE OPTIONAL SOLUTION TANK

- Remove cover and fill the solution tank with a recommended solution. Replace cover after filling.

FOR SAFETY: When using machine, follow mixing and handling instructions on chemical containers.

- Lower handle to working position. Pull the solution control lever to disperse solution to the pad/brush (Figure 13).

⚠ WARNING: Do Not Use Flammable Liquids Or Operate Machine In Or Near Flammable Liquids, Vapors Or Combustible Dusts.

This machine is not equipped with an explosion proof motor. The electric motor will spark upon start up and during operation which could cause a flash fire or explosion if machine is used in an area where flammable vapors/liquids or combustible dusts are present.



FIG. 13

MACHINE MAINTENANCE

FOR SAFETY: When servicing machine, unplug cord from wall outlet.

- Remove and clean the pad driver/brush after each use.
- Clean the machine base after each use.
- If equipped, rinse solution tank and solution supply hose with clear water.
- Inspect power cord for damage after each use. If worn or damaged, replace immediately.
- Wipe the power cord with damp cloth and neatly coil it around cord hook and handle after each use.
- Periodically check that all bolts and nuts are tight.

FOR SAFETY: When servicing machine, all repairs must be performed by a qualified service person.

STORING MACHINE

- Unplug the power cord and remove the pad from the machine. Neatly coil the cord around the cord hook and handle to prevent cord damage.
- Store machine in a dry area in the upright position.

⚠ WARNING: Do Not Use Outdoors. Do Not Expose to Rain. Store Indoors.

TRANSPORTING MACHINE

1. Unplug the power cord and remove the pad from the machine. Neatly coil the cord around the cord hook and handle to prevent cord damage.
2. Load the machine using a recommended loading ramp or carefully lift the machine with adequate assistance.

FOR SAFETY: When transporting machine, get assistance when lifting machine.

3. Secure machine with tie-down straps when transporting by vehicle.


⚠ WARNING: Do Not Use Outdoors. Do Not Expose to Rain. Store Indoors.

TROUBLE SHOOTING

PROBLEM	CAUSE	SOLUTION
Machine does not operate.	Faulty power cord.	Contact Service Center.
	Tripped building circuit breaker.	Reset circuit breaker in building.
	Faulty machine wiring.	Contact Service Center.
	Faulty On/Off lever switch.	Contact Service Center.
	Faulty motor.	Contact Service Center.
	The cord connection between the handle and base is not correctly inserted.	Ensure correct cord connection.
Machine operates with a wobble or jerky motion.	Soiled Pad.	Replace Pad.
	Improper pad/brush for application	Change to proper pad/brush.
	Pad driver/brush not installed correctly.	Remove and reinstall pad driver/brush.
	Pad/brush unevenly worn.	Replace pad/brush.
	Pad not properly centered.	Remove and reinstall pad.

RECOMMENDED STOCK ITEMS

Refer to the Parts List section for recommended stock items. Stock Items are clearly identified with a bullet preceding the parts description as shown (Figure 14).



Ref.	Part No.	Description	Qty.
1	701103	ASM,_STANDPIPE	1
2	180613	•FLOAT, SHUTOFF	1
3	230187	NIPPLE	1
4	101714	•GASKET	1
5	210240	NUT, FLANGED	1

FIG. 14

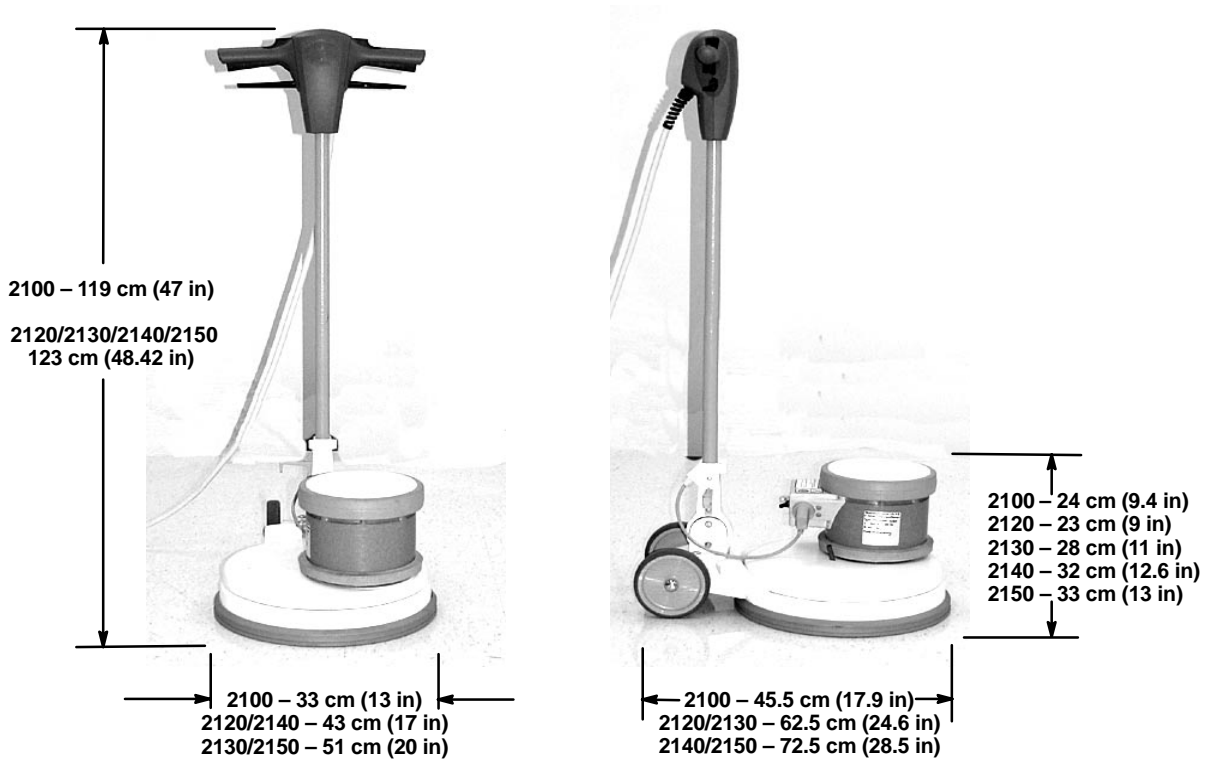
OPERATION

SPECIFICATIONS

MODEL	2100	2120	2130	2140	2150
WIDTH	33 cm (13 in)	43 cm (17 in)	51 cm (20 in)	43 cm (17 in)	51 cm (20 in)
MACHINE HEIGHT	119 cm (47 in)	123 cm (48.42 in)	123 cm (48.42 in)	123 cm (48.42 in)	123 cm (48.42 in)
BASE HEIGHT	24 cm (9.4 in)	23 cm (9 in)	28 cm (11 in)	32 cm (12.6 in)	33 cm (13 in)
LENGTH	45.5 cm (17.9 in)	62.5 cm (24.6 in)	62.5 cm (24.6 in)	72.5 cm (28.5 in)	72.5 cm (28.5 in)
WEIGHT	30 Kg (66 lbs)	39 Kg (86 lbs)	46 Kg (101 lbs)	52 Kg (115 lbs)	59 Kg (130 lbs)
OPERATING VOLTAGE	120V / 60 Hz	120V / 60 Hz	120V / 60 Hz	120V / 60 Hz	120V / 60 Hz
DRIVE MOTOR RATED OUTPUT	.67 HP, 8 A 495 W	1.25 HP, 9.2 A 900 W	1.25 HP, 9.2 A 900 W	1.75 HP, 13 A 1320 W	1.75 HP, 13 A 1320 W
PAD/BRUSH SPEED	240 RPM	180 RPM	180 RPM	180 RPM	180 RPM
POWER CORD LENGTH	12.5 M (41 ft)	12.5 M (41 ft)	12.5 M (41 ft)	12.5 M (41 ft)	12.5 M (41 ft)
BRUSH PAD DIAMETER	33 cm (13 in)	43 cm (17 in)	51 cm (20 in)	43 cm (17 in)	51 cm (20 in)
BRUSH PRESSURE	.47 N/cm ² (.68 lb/in ²)	.37 N/cm ² (.54 lb/in ²)	.28 N/cm ² (.41 lb/in ²)	.52 N/cm ² (.75 lb/in ²)	.35 N/cm ² (.51 lb/in ²)
DECIBEL RATING AT OPERATOR'S EAR, INDOORS ON TILE FLOOR	65dB(A)	65dB(A)	65dB(A)	65dB(A)	65dB(A)

Specifications may change without notice.

MACHINE DIMENSIONS



Este manual se incluye en todos los modelos nuevos. Proporciona todas las instrucciones de utilización y mantenimiento necesarias e incluye una lista de piezas con ilustraciones.

Lea todo el manual detenidamente para comprender la máquina antes de utilizarla o revisarla.

Utilice la lista de piezas con ilustraciones para realizar los pedidos de repuestos. Antes de realizar los pedidos de piezas o consumibles, asegúrese de tener a mano el número de modelo y número de serie de la máquina. Puede realizar su pedido telefónicamente o por correo a cualquier centro de servicio técnico, distribuidor autorizado de recambios o a cualquier filial del fabricante.

Esta máquina le proporcionará excelentes resultados. Sin embargo, los resultados serán óptimos a un coste mínimo si:

- Utiliza la máquina con un cuidado razonable.
- Revisa la máquina periódicamente – de acuerdo con las instrucciones de mantenimiento adjuntas.
- Las operaciones de mantenimiento de la máquina se realizan con piezas suministradas por el fabricante o equivalentes.

DATOS DE LA MAQUINA

Por favor complete al momento de la instalación para referencia futura.

No. de Modelo- _____

Fecha de instalación - _____

No. de Serie- _____

© 2002, 2003 Tennant Company

Printed in the Czech Republic

ÍNDICE

MEDIDAS DE SEGURIDAD	18	ALMACENAMIENTO DE LA MÁQUINA	25
INSTRUCCIONES PARA REALIZAR		TRANSPORTE DE LA MÁQUINA	25
LA TOMADE TIERRA	19	STOCK RECOMENDADO DE REPUESTOS .	25
ETIQUETA DE ADVERTENCIA	20	LOCALIZACIÓN DE AVERÍAS	26
COMPONENTES DE LA MÁQUINA	21	ESPECIFICACIONES	26
INSTALACIÓN DE LA MÁQUINA	21	DIMENSIONES DE LA MÁQUINA	27
INSTALACIÓN DEL MANDO		DIAGRAMAS ELECTRICAS	28
EN LA BASE	21	LISTA DE PIEZAS	30
INSTALACIÓN DEL DEPÓSITO		2100/2120/2130/2140/2150	
OPCIONAL DE DISOLUCIÓN	21	GRUPO DEL ASA	30
INSTALACIÓN DE LA MÁQUINA	22	2100 GRUPO BASE	32
INSTALACIÓN DEL IMPULSOR DE LA		2120 GRUPO BASE	34
ALMOHADILLA / ALMOHADILLA		2130/2140/2150 GRUPO BASE	36
/ CEPILLO	22	OPCIONES	38
FUNCIONAMIENTO DE LA MÁQUINA	23	CEPILLO DEL REEMPLAZO Y GRUPO	
UTILIZACIÓN DE LA MÁQUINA	23	DEL MANDO DE LA ALMOHADILLA	38
UTILIZACIÓN DEL DEPÓSITO OPCIONAL		GRUPE DEL DEPÓSITO DE	
DE DISOLUCIÓN	24	DISOLUCIÓN	39
MANTENIMIENTO DE LA MÁQUINA	25		

MEDIDAS DE SEGURIDAD

Esta máquina sólo se usa para uso comercial. Está diseñada exclusivamente para fregar pisos en un ambiente interior y no se construye para ningún otro uso. Usa sólo almohadillas/cepillos recomendados y limpiadores de suelo y ceras disponibles comercialmente y ceras destinados para la aplicación de la máquina.

Todos los operadores deben leer, deben entender y deben practicar las precauciones siguientes de seguridad.

El símbolo siguiente de advertencia de alerta y el encabezamiento "FOR SAFETY" ("PARA SEGURIDAD") se usan a lo largo de este manual como se indicó en su descripción:

⚠ ADVERTENCIA: Para advertir acerca de riesgos o prácticas inseguras que podrían resultar en severas lesiones personales o la muerte.

PARA SEGURIDAD: Para identificar acciones que deben seguirse para el funcionamiento seguro del equipo.

La falla en seguir estas advertencias puede resultar en: lesión personal, electrocución, choque eléctrico, fuego o explosión:

⚠ ADVERTENCIA: No use líquidos inflamables ni opere la máquina en o cerca de Inflamable líquidos, vapores, polvos combustibles, inflamables.

Esta máquina no está provista con un motor a prueba de explosión. El motor eléctrico chispea en el arranque y durante el funcionamiento lo que podría causar un fuego explosivo o explosión si la máquina se usa en una área donde están presentes vapores/líquidos inflamables o polvos combustibles.

⚠ ADVERTENCIA: No opere con un cordón eléctrico dañado. No modifique el enchufe. Desenchufe el cordón eléctrico antes de reparar la máquina.

Si el cordón del suministro se daña o se rompe, debe ser reemplazado por el fabricante o su agente de servicio o una persona similarmente calificada para evitar un riesgo.

⚠ ADVERTENCIA: No use al aire libre. No exponga a la lluvia. Almacene bajo techo.

La información siguiente señala condiciones potencialmente peligrosas al operador o equipo:

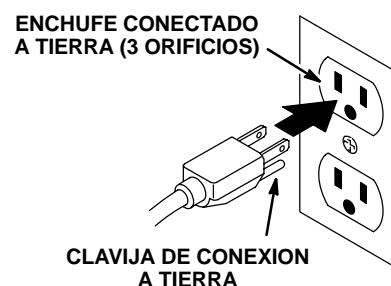
PARA SEGURIDAD:

1. No opere la máquina:
 - Con líquidos inflamables o cerca de vapores inflamables ya que puede ocurrir una explosión o fuego explosivo.
 - A menos que se capacitó y fue autorizado.
 - A menos que el manual del operador se lea y entienda.
 - A menos que el cordón se conecte apropiadamente a tierra.
 - Con un cordón o enchufe dañados.
 - Si no está en una condición apropiada de operación.
 - En áreas al aire libre.
 - En agua estancada.
 - Con el uso de una extensión de cordón.
2. Antes de operar máquina:
 - Asegúrese que todos los dispositivos de seguridad están en lugar y operan propiamente.
 - Coloque señales de piso húmedo según se necesite.
 - Quite objetos sueltos en suelo para prevenir proyectiles peligrosos si son golpeados por la almohadilla giratoria.
3. Al usar la máquina:
 - Aléjese de la almohadilla giratoria.
 - No pase la máquina encima del cordón.
 - No tire de la máquina por el enchufe o el cordón.
 - No tire del cordón alrededor de bordes o esquinas aguzados.
 - Usar zapatos antideslizantes.
 - No cierra las puertas sobre el cordón.
 - No desenchufe tirando del cordón.
 - No estire el cordón.
 - No maneje el enchufe con las manos húmedas.
 - Mantenga el cordón lejos de las superficies calientes.
 - Nunca active la potencia cuando la manija esté en posición vertical.
 - No suelte las manijas hasta que la almohadilla se detenga completa.
 - Proceda con lentitud lento en las cuestas y las superficies resbaladizas.
 - Nunca permita que los niños jueguen en o alrededor.

- Informe inmediatamente acerca de daños u operación defectuosa de la máquina.
 - Siga las instrucciones de manipulación y mezcla indicadas en los envases de los productos químicos.
4. Antes de dejar la máquina:
- Apague la máquina.
 - Desenchufe cordón del tomacorriente de la pared.
5. Al reparar máquina:
- Desenchufe cordón del tomacorriente de la pared.
 - Evite las piezas móviles. No use chaquetas, camisas, o mangas, holgadas.
 - Use piezas de repuesto proporcionadas o aprobadas por el fabricante.
 - Todas las reparaciones se deben realizar por una persona cualificada para el servicio.
 - No modifique el diseño original de la máquina.
6. Al transportar máquina:
- Obtenga asistencia al levantar la máquina.
 - Desenchufe cordón del tomacorriente de la pared.
 - Use correas de amarre para asegurar la máquina a un camión o remolque.

INSTRUCCIONES PARA REALIZAR LA TOMA DE TIERRA

La máquina debe estar conectada a una toma de tierra. En caso de funcionamiento incorrecto o avería de la máquina, la toma de tierra proporciona el camino de menor resistencia a la corriente eléctrica reduciendo de este modo el riesgo de descarga eléctrica. La máquina está equipada con un cable y enchufe con toma de tierra. Conecte el enchufe en un enchufe apropiado correctamente instalado de acuerdo con los códigos y ordenanzas locales. No extraer la clavija de conexión a tierra; si falta, reemplazar el enchufe antes de usar.



OPERACIÓN

ETIQUETA DE ADVERTENCIA

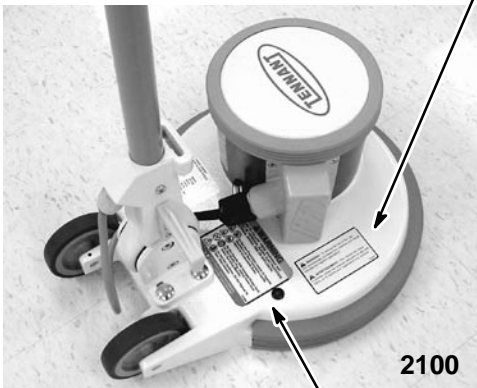
La etiqueta de advertencia aparece en la máquina en la ubicación indicada. Reemplace la etiqueta si se daña o es ilegible.

ETIQUETA DE ADVERTENCIA – Ubicada en la base (2100) Ubicada en la caja del condensador (2120/2130/2140/2150)

⚠ WARNING: To reduce the risk of fire, use only commercially available floor cleaners and waxes intended for machine application.

⚠ AVERTISSEMENT: Pour réduire les risques d'incendie, utiliser des produits nettoyants et des cires offerts sur le marché pour l'application à la machine.

602597



ETIQUETA DE ADVERTENCIA – Ubicada en la base

⚠ WARNING

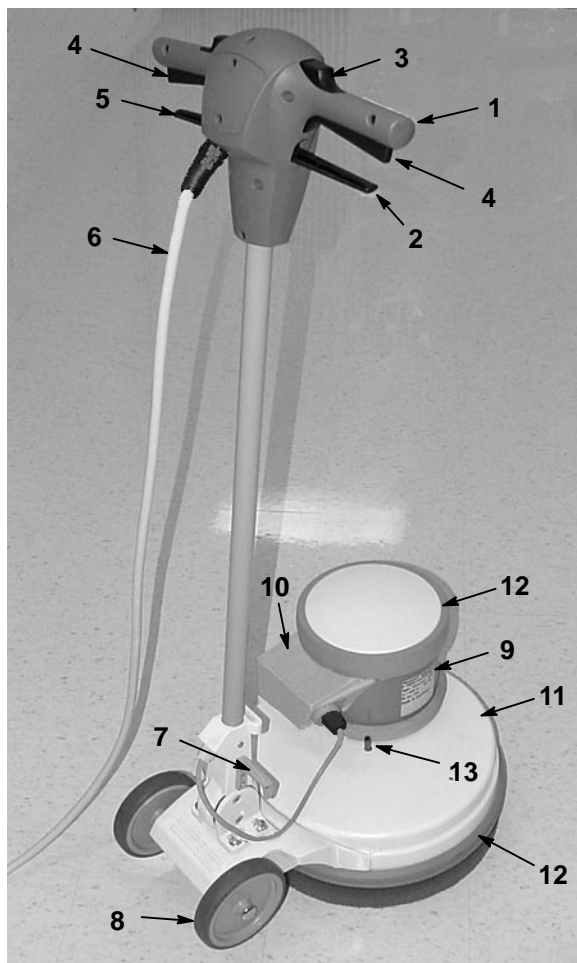
FAILURE TO FOLLOW THESE WARNINGS MAY RESULT IN: PERSONAL INJURY, ELECTROCUTION, ELECTRICAL SHOCK, FIRE OR EXPLOSION.

-   Do Not Use Flammable Liquids Or Operate Machine In Or Near Flammable Liquids, Vapors Or Combustible Dusts.
-   Do Not Operate With Damaged Power Cord. Do Not Modify Plug. Unplug Power Cord Before Servicing Machine.
-   Do Not Use Outdoors. Do Not Expose To Rain. Store Indoors.

613286

 FOR SAFETY: READ THE OWNER'S MANUAL BEFORE USING MACHINE.

COMPONENTES DE LA MÁQUINA



1. Mando de control
2. Palanca de ajuste de la altura del mando
3. Palancas de bloqueo de seguridad
4. Palancas de Encendido/Apagado
5. Palanca de control del flujo de disolución para el depósito opcional de disolución
6. Cable eléctrico
7. Gancho para el cable eléctrico
8. Ruedas de transporte
9. Motor
10. Caja del condensador
11. Base del cabezal de fregado
12. Parachoques
13. Conector de alimentación de disolución para el depósito opcional de disolución

INSTALACIÓN DE LA MÁQUINA

Controle cuidadosamente si la caja presenta signos de deterioro. Si existieran desperfectos, informe inmediatamente al transportista.

INSTALACIÓN DEL MANDO EN LA BASE

1. Coloque el conjunto del mando sobre la base como muestra la figura. Introduzca los (4) tornillos incluidos en la base de la máquina a través de la parte superior del soporte del mando. Fije los tornillos con las tuercas y arandelas desde el lado inferior de la base (12 N·m / 8.85 ft-Lbs el momento de torsión), con ayuda de una llave de 13 mm (Figura 1).
2. Conecte el cable eléctrico en el receptáculo de la caja del interruptor (Figura 1).

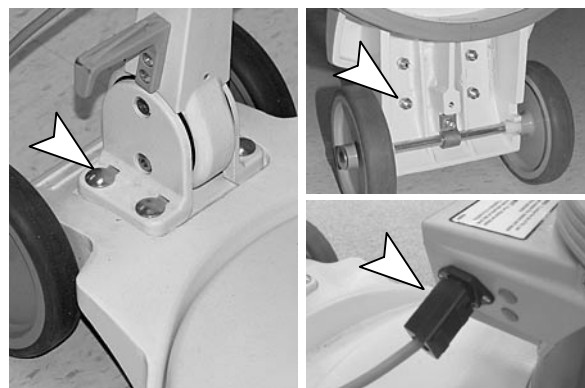


FIG. 1

INSTALACIÓN DEL DEPÓSITO OPCIONAL DE DISOLUCIÓN

1. Instale la abrazadera superior del soporte del depósito de disolución en el mando como muestra la figura, no apriete aún los tornillos, necesita una llave allen de 5 mm (Figura 2).

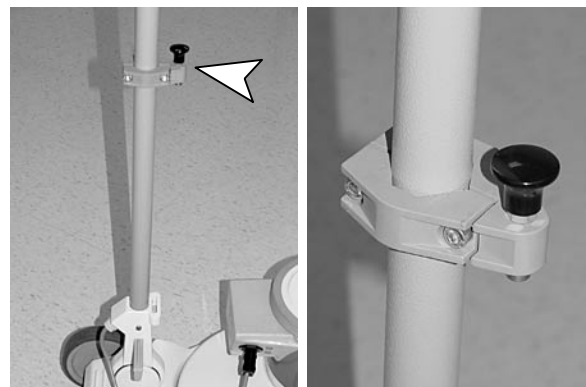


FIG. 2

OPERACIÓN

2. Introduzca la pestaña de la parte inferior del depósito de disolución en la ranura del soporte del depósito, situada junto a la base del mando como muestra la figura. Fije la parte superior del depósito como se indica con la abrazadera superior del soporte. A continuación, apriete los tornillos de la abrazadera superior del soporte (Figura 3).

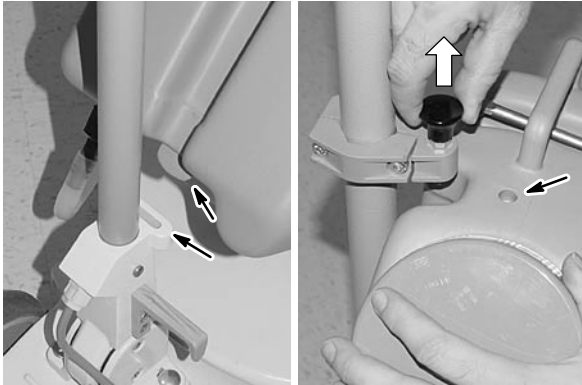


FIG. 3

3. Conecte la cadena a la palanca de control de la disolución. Conecte el tubo de alimentación de la disolución al conector de alimentación de la disolución de la base de la máquina (Figura 4).

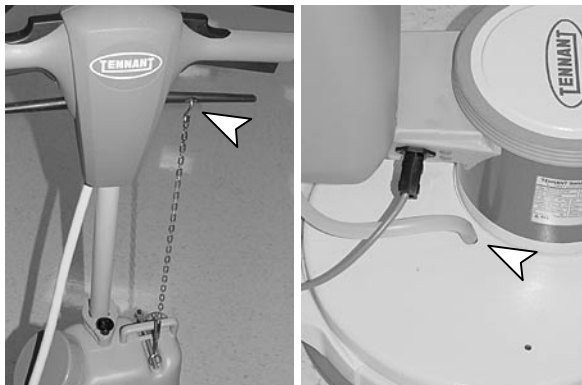


FIG. 4

⚠ ADVERTENCIA: Pour réduire les risques d'incendie, utiliser des produits nettoyants et des cires offerts sur le marché pour l'application à la machine.

⚠ ADVERTENCIA: No use líquidos inflamables ni opere la máquina en o cerca de inflamables líquidos, vapores, polvos combustibles, inflamables.

Esta máquina no está provista con un motor a prueba de explosión. El motor eléctrico chispea en el arranque y durante el funcionamiento lo que podría causar un fuego explosivo o explosión si la máquina se usa en una área donde están presentes vapores/líquidos inflamables o polvos combustibles.

PARA SU SEGURIDAD: Siga las instrucciones de mezcla y manipulación indicadas en los envases de los productos químicos cuando utilice la máquina.

INSTALACIÓN DE LA MÁQUINA

INSTALACIÓN DEL IMPULSOR DE LA ALMOHADILLA / ALMOHADILLA / CEPILLO

PARA SU SEGURIDAD: Antes de abandonar o revisar la máquina, desconecte el cable del enchufe de la pared.

1. Tire de la palanca de ajuste de la altura del mando y levante el mando hasta la posición vertical. Incline la máquina hacia atrás con cuidado y coloque el mando en el suelo (Figura 5).

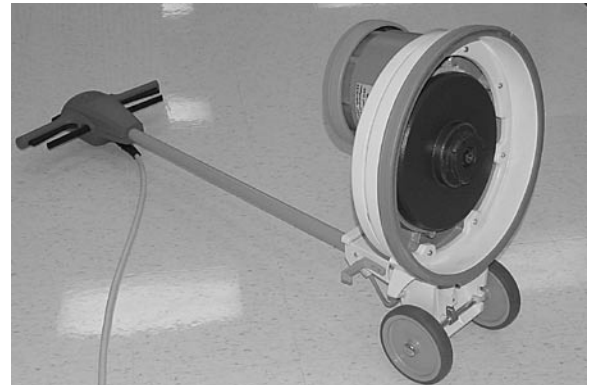


FIG. 5

2. Instale la almohadilla sobre el impulsor de la almohadilla. Si la máquina tenga un cierre central plástico, fijar la almohadilla con el cierre central (Figura 6).

NOTA: Consulte a su distribuidor autorizado el tipo de cepillo/almohadilla recomendado para sus necesidades. Utilice únicamente impulsores de las almohadillas y cepillos suministrados y homologados por el fabricante.



FIG. 6

- Coloque el impulsor de la almohadilla/cepillo sobre el cubo del motor de impulsión y gírelo en sentido contrario al de las agujas del reloj para inmovilizarlo (Figura 7).

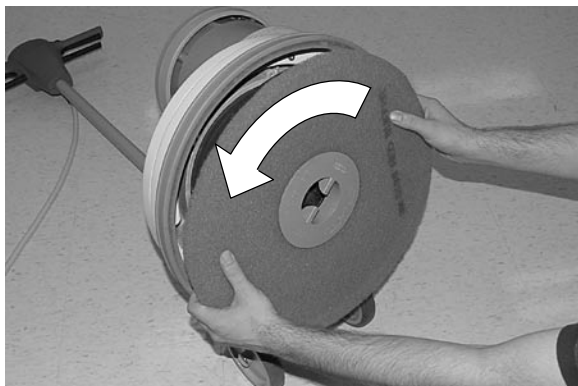


FIG. 7

- Devuelva la máquina a la posición vertical.

FUNCIONAMIENTO DE LA MÁQUINA

PARA SU SEGURIDAD: No utilice la máquina salvo que haya leído y comprendido el manual del operario.

UTILIZACIÓN DE LA MÁQUINA

⚠ ADVERTENCIA: No use líquidos inflamables ni opere la máquina en o cerca de Inflamable líquidos, vapores, polvos combustibles, inflamables.

Esta máquina no está provista con un motor a prueba de explosión. El motor eléctrico chispea en el arranque y durante el funcionamiento lo que podría causar un fuego explosivo o explosión si la máquina se usa en una área donde están presentes vapores/líquidos inflamables o polvos combustibles.

- Enchufe el cable eléctrico en una toma de la pared con toma de tierra (Figura 8).

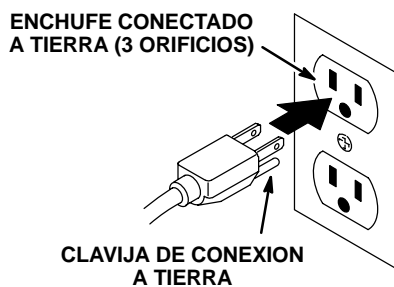


FIG. 8

PARA SU SEGURIDAD: No utilice la máquina salvo que el cable eléctrico esté conectado a una toma de tierra que funcione correctamente. No utilice la máquina si el enchufe o cable están deteriorados. No utilice la máquina con un alargador.

- Baje el mando hasta la altura de funcionamiento deseada tirando de la palanca de ajuste de la altura del mando. Suelte la palanca para inmovilizar el mando (Figura 9).

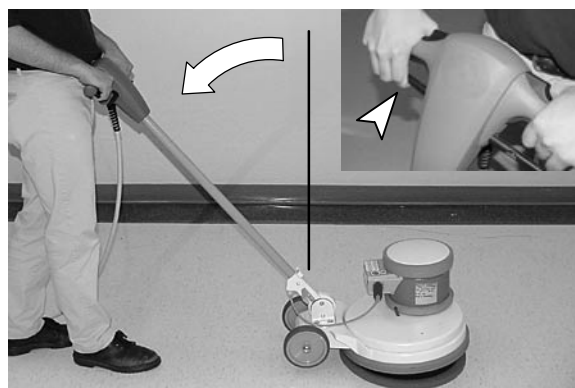


FIG. 9

- Antes de arrancar la máquina, sujete el mando de modo que la base de la máquina esté paralela al suelo (Figura 10). Esto reducirá el desplazamiento incontrolado al arrancar la máquina.

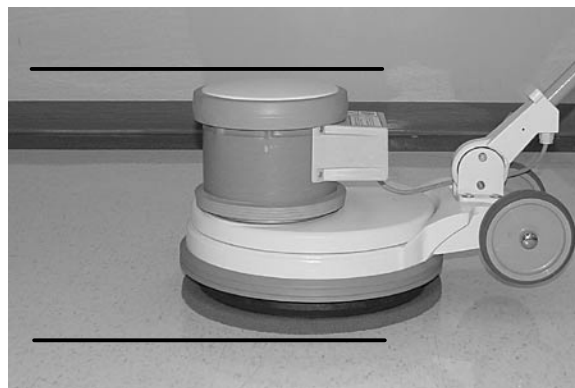


FIG. 10

NOTA: Es aconsejable que los operarios que utilicen la máquina por primera vez practiquen con la almohadilla de abrillantado que es menos agresiva.

OPERACIÓN

- Para iniciar el fregado, sujete el mando firmemente, baje las palancas de bloqueo de seguridad y tire de las palancas de Encendido/Apagado. Suelte la palanca de bloqueo de seguridad cuando la máquina arranque (Figura 11).

ATENCIÓN: Tenga cuidado al arrancar la máquina, la máquina tenderá a desplazarse de forma incontrolada al activar las palancas de Encendido/Apagado.

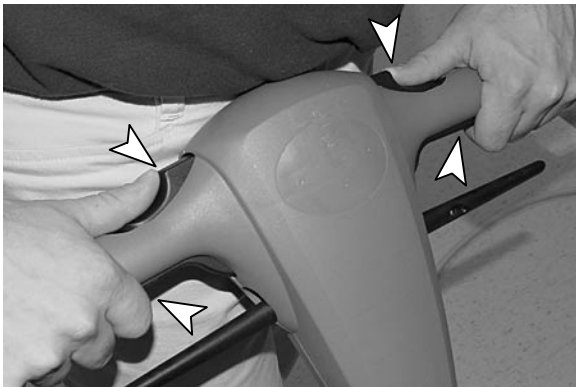


FIG. 11

- Para desplazar la máquina hacia la izquierda (A), baje ligeramente el mando. Para desplazarla hacia la derecha (B), eleve ligeramente el mando. Desplace la máquina con movimientos laterales (Figura 12).

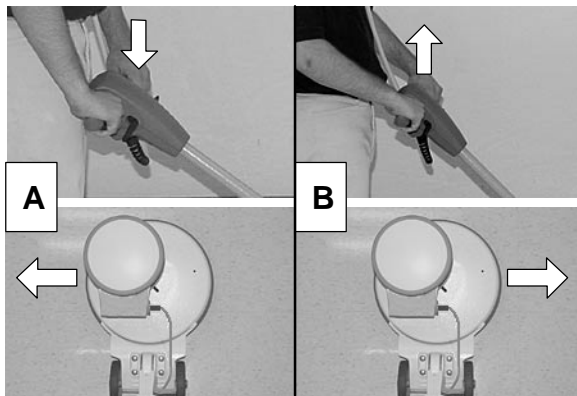


FIG. 12

- Para detener la máquina, suelte las palancas de Encendido/Apagado y sujete firmemente los mandos hasta que la máquina se detenga totalmente. La palanca de bloqueo de seguridad se activará automáticamente.

PARA SU SEGURIDAD: Al utilizar la máquina, no suelte los mandos hasta que la almohadilla se haya detenido totalmente.

- No utilice la máquina en el mismo lugar durante mucho tiempo. Podría deteriorar el suelo.
- Para maniobrar sobre umbrales y rejillas, detenga la máquina e inclínela hacia atrás hasta situarla sobre las ruedas de transporte.

- No deje la máquina vertical sobre el cepillo/almohadilla cuando no la utilice. Podría deteriorar el cepillo o la almohadilla.
- Una vez finalizada la operación de fregado, realice las siguientes operaciones de mantenimiento de la máquina.

UTILIZACIÓN DEL DEPÓSITO OPCIONAL DE DISOLUCIÓN

- Retire la tapa y llene el depósito de disolución con la disolución recomendada. Vuelva a colocar la tapa después del llenado.

PARA SU SEGURIDAD: Siga las instrucciones de mezcla y manipulación indicadas en los envases de los productos químicos cuando utilice la máquina.

- Baje el mando hasta la posición de trabajo. Tire de la palanca de control de la disolución para dirigir la disolución hacia el cepillo/almohadilla (Figura 13).

⚠ ADVERTENCIA: No use líquidos inflamables ni opere la máquina en o cerca de Inflamable líquidos, vapores, polvos combustibles, inflamables.

Esta máquina no está provista con un motor a prueba de explosión. El motor eléctrico chispea en el arranque y durante el funcionamiento lo que podría causar un fuego explosivo o explosión si la máquina se usa en una área donde están presentes vapores/líquidos inflamables o polvos combustibles.



FIG. 13

MANTENIMIENTO DE LA MÁQUINA

PARA SU SEGURIDAD: Al reparar máquina, desconecte el cable del enchufe de la pared.

1. Retire y limpie el impulsor de la almohadilla/cepillo después de cada uso.
2. Limpie la base de la máquina después de cada uso.
3. Si está equipado, aclare el tanque de la solución y la manguera de fuente de la solución con agua clara.
4. Compruebe si el cable eléctrico está deteriorado después de cada uso. En caso de estar deteriorado, sustitúyalo inmediatamente.
5. Limpie con un paño húmedo el cable eléctrico y enróllelo cuidadosamente alrededor del mando y colóquelo en su gancho después de cada uso.
6. Controle periódicamente que todos los pernos y tuercas estén bien apretados.

PARA SU SEGURIDAD: Al reparar máquina, todas las reparaciones se deben realizar por una persona cualificada para el servicio.

ALMACENAMIENTO DE LA MÁQUINA

1. Retire de la máquina el impulsor del cepillo/almohadilla y enrrolle cuidadosamente el cable alrededor del mando y colóquelo en su gancho.
2. Guarde la máquina en posición vertical en un lugar seco.

⚠ ADVERTENCIA: No use al aire libre. No exponga a la lluvia. Almacene bajo techo.

TRANSPORTE DE LA MÁQUINA

1. Desenchufe el cordón eléctrico y extraiga la almohadilla de la máquina. Enrolle prolijamente el cordón alrededor del gancho del cordón y el mango.
2. Cargue la máquina usando una rampa recomendada de carga o con asistencia adecuada levante cuidadosamente la máquina.

PARA SEGURIDAD: Al transportar máquina, obtenga asistencia al levantar la máquina.

3. Asegure la maquina con las bandas de amarre cuando sea transportada por camión.

⚠ ADVERTENCIA: No use al aire libre. No exponga a la lluvia. Almacene bajo techo.

STOCK RECOMENDADO DE REPUESTOS

Consulte la sección de Lista de Repuestos para ver que productos son los recomendados. Los repuestos que debe tener en almacén se identifican fácilmente por la marca que antecede a la descripción de las piezas (Figura 14).

Ref.	Part No.	Description	Qty.
1	701103	ASM_STANDPIPE	1
2	100513	•FLOAT, SHUTOFF	1
3	230187	NIPPLE	1
4	101714	•GASKET	1
5	210240	NUT, FLANGED	1

FIG. 14

OPERACIÓN

LOCALIZACIÓN DE AVERÍAS

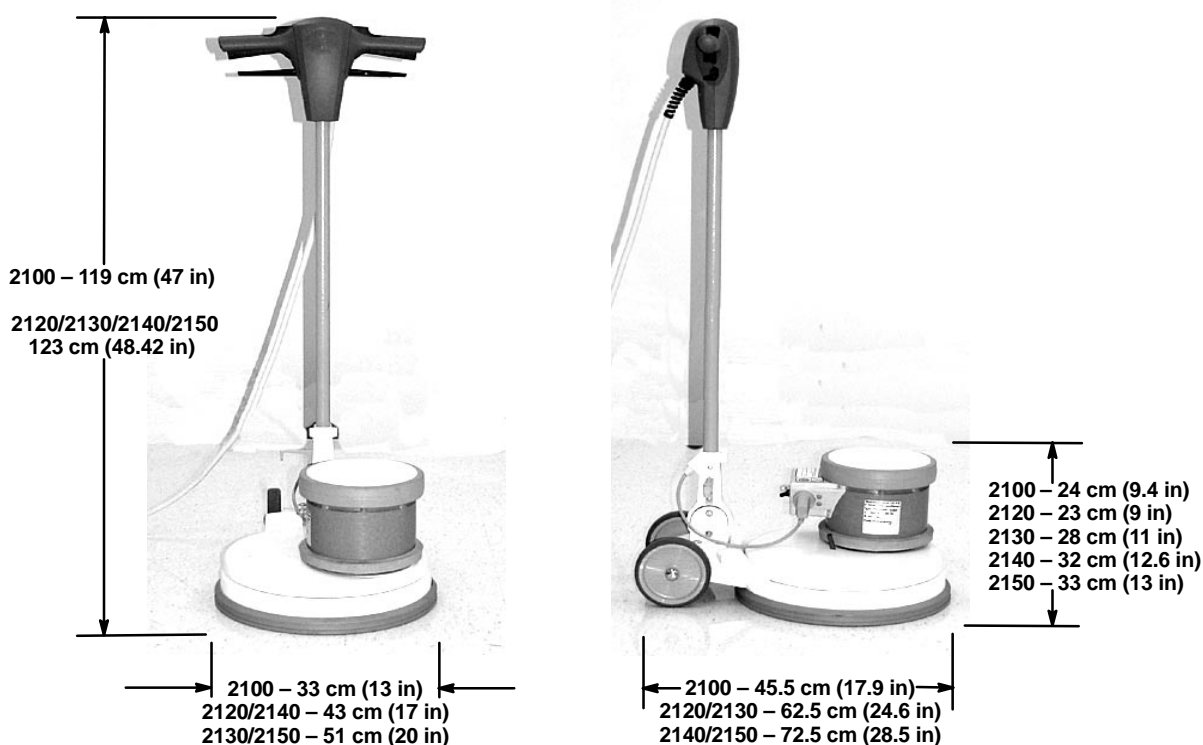
PROBLEMA	CAUSA	SOLUCIÓN
La máquina no funciona.	Cable eléctrico defectuoso.	Contactar con el Servicio Técnico
	Cortacorrientes del edificio activado.	Reajustar el cortacircuitos del edificio.
	Cableado de la máquina defectuoso.	Contactar con el Servicio Técnico
	Interruptor de la palanca de Apagado/ Encendido defectuoso.	Contactar con el Servicio Técnico
	Motor defectuoso.	Contactar con el Servicio Técnico
	Conexión del cable entre el mando y la base mal introducida.	Asegurarse de que la conexión del cable es correcta.
La máquina se desplaza con un movimiento oscilante y brusco.	Almohadilla sucia.	Sustituir almohadilla.
	Cepillo/almohadilla incorrecta para la aplicación.	Sustituir por el cepillo/almohadilla correcto.
	Impulsor de la almohadilla/cepillo mal instalado.	Extraer y volver a instalar el impulsor de la almohadilla/cepillo.
	Desgaste irregular del cepillo/almohadilla.	Sustituir cepillo/almohadilla.
	Almohadilla descentrada.	Extraer y volver a instalar la almohadilla.

ESPECIFICACIONES

MODELO	2100	2120	2130	2140	2150
ANCHURA	33 cm (13 in)	43 cm (17 in)	51 cm (20 in)	43 cm (17 in)	51 cm (20 in)
ALTURA DE LA MÁQUINA	119 cm (47 in)	123 cm (48.42 in)	123 cm (48.42 in)	123 cm (48.42 in)	123 cm (48.42 in)
ALTURA DE LA BASE	24 cm (9.4 in)	23 cm (9 in)	28 cm (11 in)	32 cm (12.6 in)	33 cm (13 in)
LONGITUD	45.5 cm (17.9 in)	62.5 cm (24.6 in)	62.5 cm (24.6 in)	72.5 cm (28.5 in)	72.5 cm (28.5 in)
PESO	30 Kg (66 lbs)	39 Kg (86 lbs)	46 Kg (101 lbs)	52 Kg (115 lbs)	59 Kg (130 lbs)
CONSUMO ENERGÉTICO TOTAL	.67 HP, 8 A 495 W	1.25 HP, 9.2 A 900 W	1.25 HP, 9.2 A 900 W	1.75 HP, 13 A 1320 W	1.75 HP, 13 A 1320 W
VELOCIDAD DEL CEPILLO/ALMOHADILLA	240 RPM	180 RPM	180 RPM	180 RPM	180 RPM
LONGITUD DEL CABLE ELÉCTRICO	12.5 M (41 ft)	12.5 M (41 ft)	12.5 M (41 ft)	12.5 M (41 ft)	12.5 M (41 ft)
DIÁMETRO DEL CEPILLO/ALMOHADILLA	33 cm (13 in)	43 cm (17 in)	51 cm (20 in)	43 cm (17 in)	51 cm (20 in)
PRESIÓN DEL CEPILLO	.47 N/cm ² (.68 lb/in ²)	.37 N/cm ² (.54 lb/in ²)	.28 N/cm ² (.41 lb/in ²)	.52 N/cm ² (.75 lb/in ²)	.35 N/cm ² (.51 lb/in ²)
NIVEL DE RUIDO (EN DECIBELIOS) A LA ALTURA DEL OPERARIO, EN RECINTO CERRADO CON SUELO DE BALDOSA	65dB(A)	65dB(A)	65dB(A)	65dB(A)	65dB(A)
VOLTAJE	120V / 60 Hz	120V / 60 Hz	120V / 60 Hz	120V / 60 Hz	120V / 60 Hz

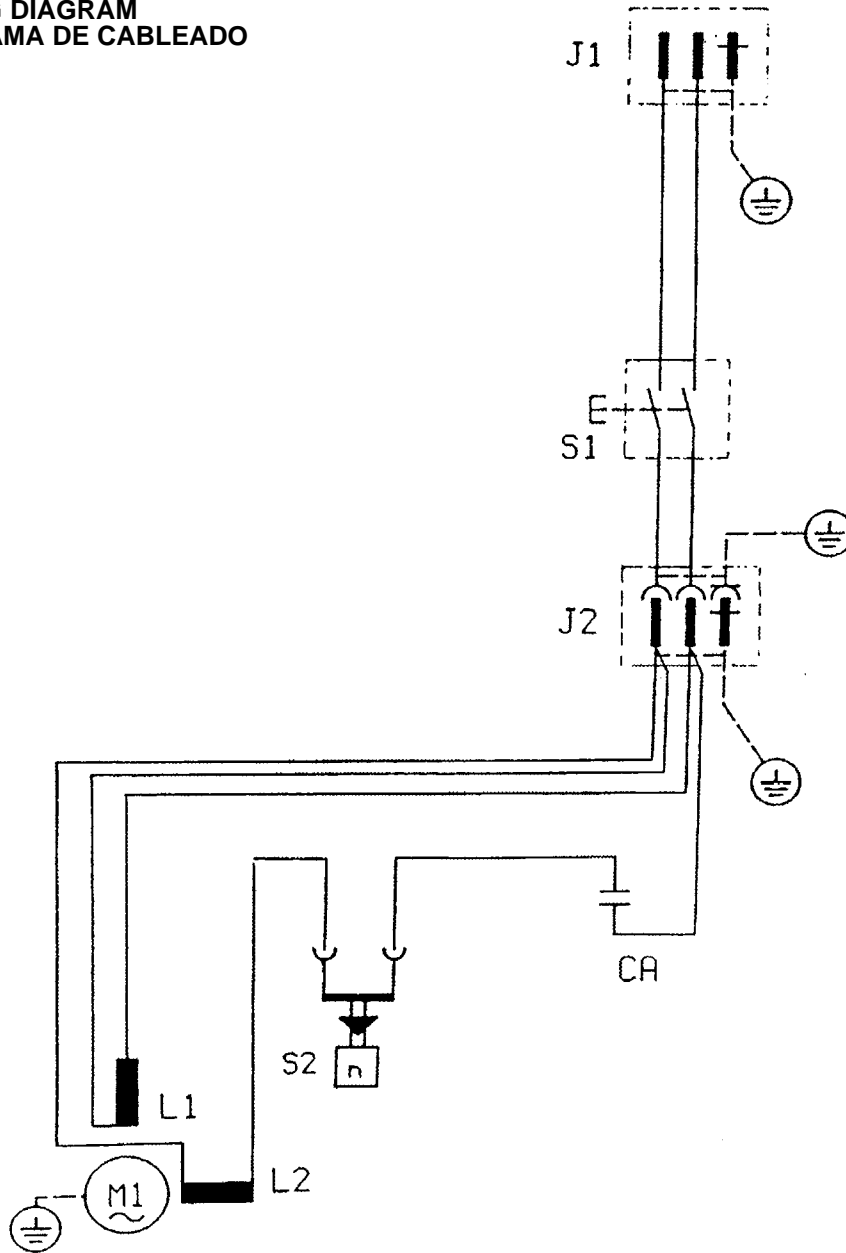
Especificaciones sujetas a modificaciones sin aviso previo.

DIMENSIONES DE LA MAQUINA



**ELECTRICAL DIAGRAMS
DIAGRAMAS ELECTRICAS**

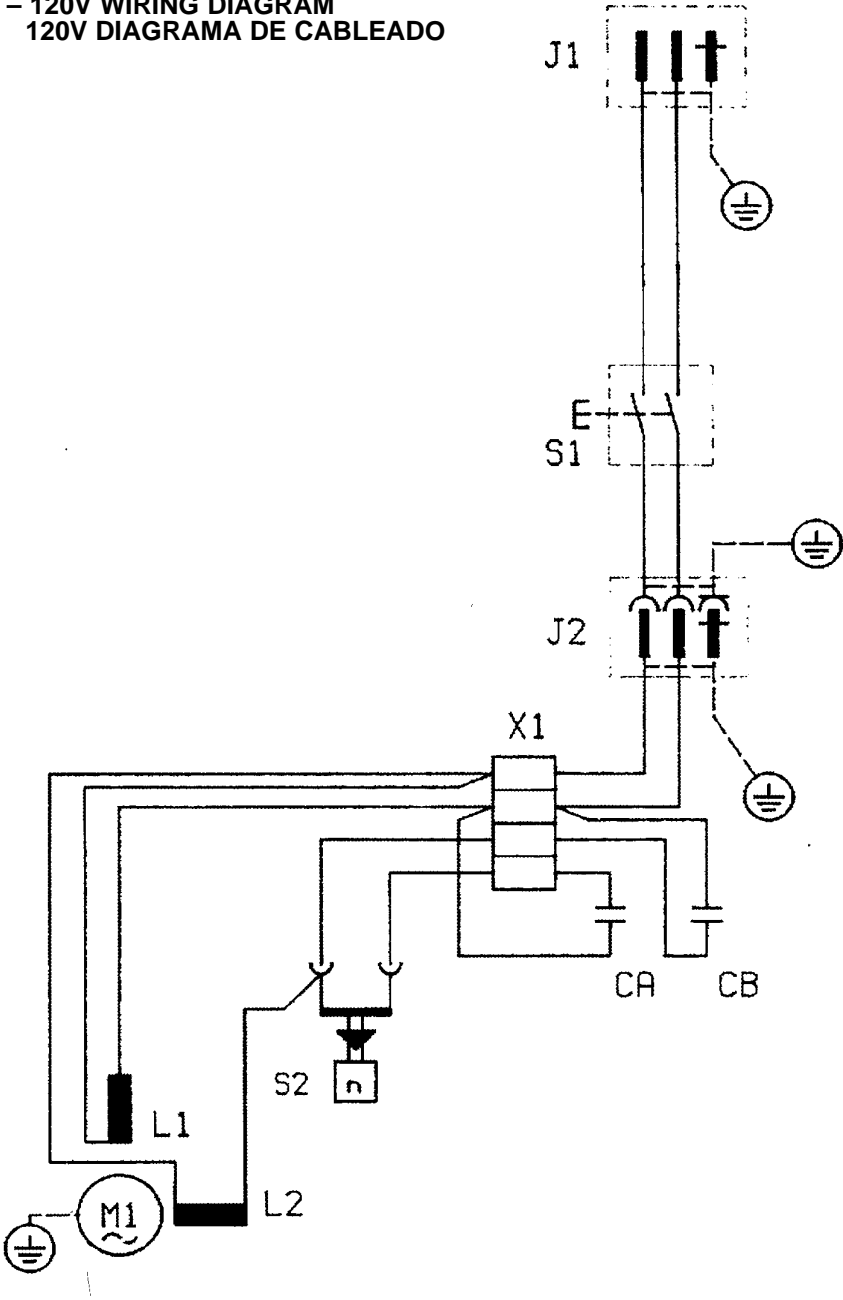
2100 – 120V WIRING DIAGRAM
120V DIAGRAMA DE CABLEADO



LEGEND

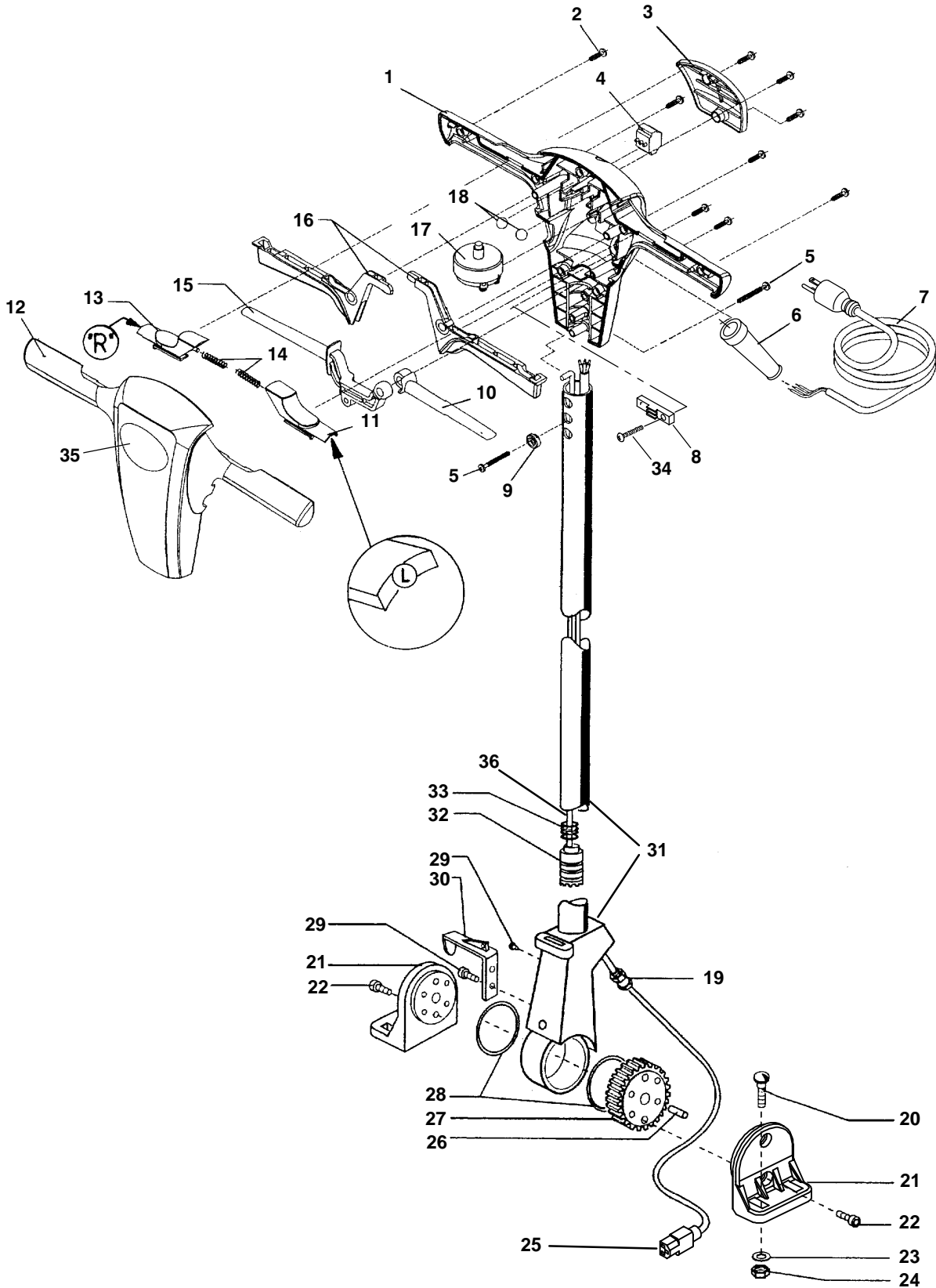
- CA = CAPACITOR
- J1 = CONNECTION
- J2 = PLUG
- L1 = COIL
- L2 = COIL
- M1 = MOTOR
- S1/S2 = SWITCH

2120/2130/2140/2150 – 120V WIRING DIAGRAM
120V DIAGRAMA DE CABLEADO



- LEGEND**
CA/CB = CAPACITOR
J1 = CONNECTION
J2 = PLUG
L1 = COIL
L2 = COIL
M1 = MOTOR
S1/S2 = SWITCH
X1 = BINDING POST

2100 / 2120 / 2130 / 2140 / 2150 HANDLE GROUP
GRUPO DEL ASA



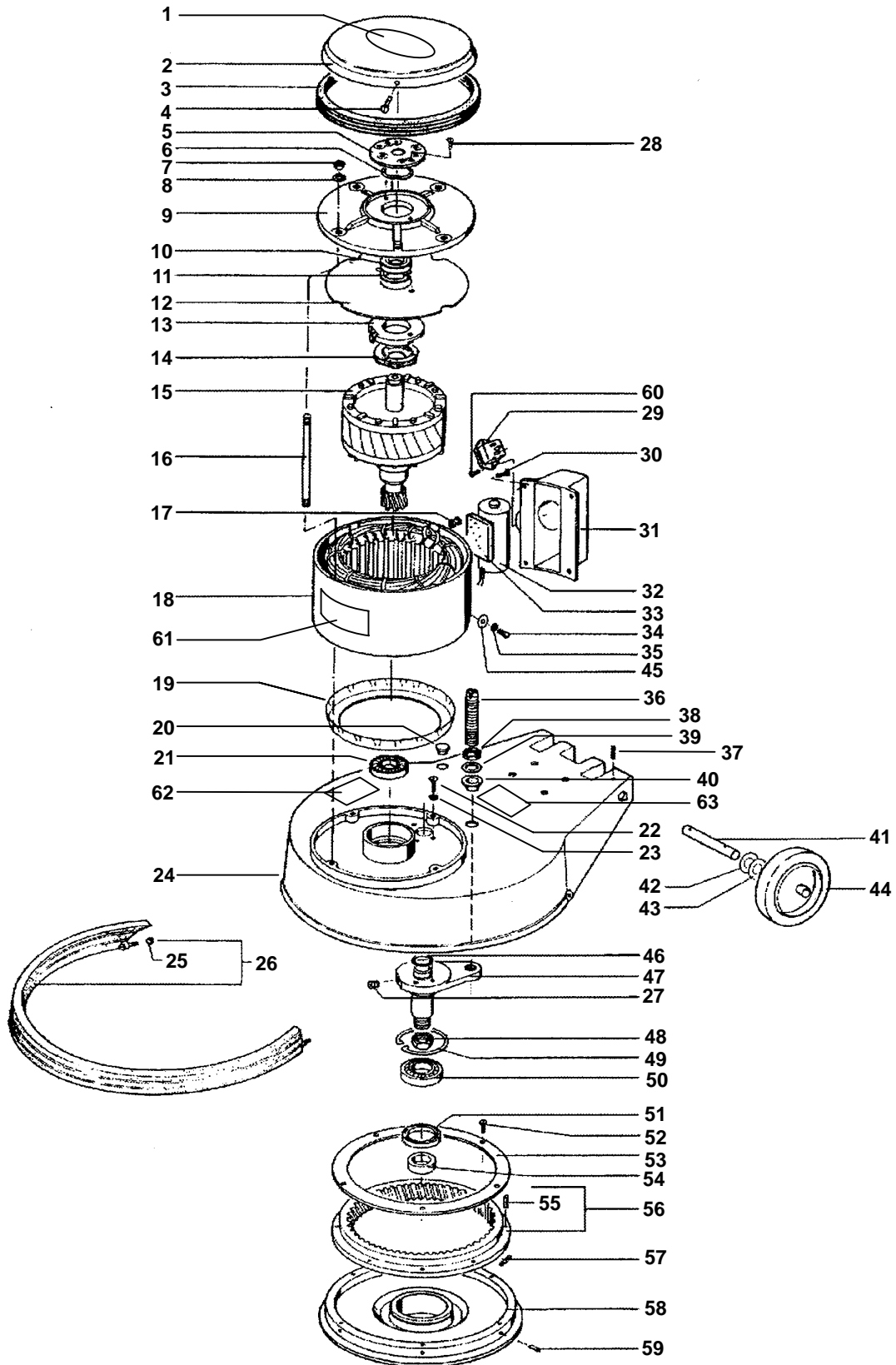
2100 / 2120 / 2130 / 2140 / 2150 HANDLE GROUP
GRUPO DEL ASA

REF	PART #	DESCRIPTION	QTY.
	801454	ASSEMBLY, HANDLE	1
1	613267	●COVER, HANDLE REAR	1
2	801274	●SCREW	9
3	801003	COVER	1
4	801052	BLOCK, TERMINAL	1
5	801247	SCREW	2
6	801448	●GRIP, CORD	1
7	801359	CABLE	1
8	99916617	BLOCK, CONNECTOR	1
9	99916544	INSERT	1
10	801009	●LEVER, LEFT	1
11	801005	●SWITCH "L"	1
12	613264	●COVER, HANDLE TOP	1
13	801004	●SWITCH "R"	1
14	801013	●SPRING	2
15	612521	●LEVER, HANDLE ADJUSTMENT	1
16	801006	●LEVER	2
17	99916592	●SWITCH	1
18	801035	●BALL	2
19	99942168	GRIP, CORD	1

REF	PART #	DESCRIPTION	QTY.
20	99918245	●SCREW	4
21	613336	SUPPORT, HANDLE	2
22	99915121	SCREW	4
23	39355	●WASHER, LOCK INT M08	4
24	39311	●NUT, HEX STD M08 X 1.25	4
25	801353	●CABLE	1
26	99918243	PIN, ADAPTER	2
27	800495	●GEARWHEEL	1
28	99923586	●RING	2
29	99946554	SCREW	3
30	99915686	●HOOK, CORD	1
31	801168	●ASM., HANDLE TUBE	1
32	801259	PLUNGER	1
33	99915228	●SPRING	1
34	801449	SCREW	2
35	99918249	DECAL, "TENNANT"	1
36	801038	ROD	1
N/S	99918465	WIRE, BLUE	1
N/S	99921332	WIRE, BROWN	1

● RECOMMENDED STOCK ITEMS

2100 BASE GROUP
GRUPO BASE



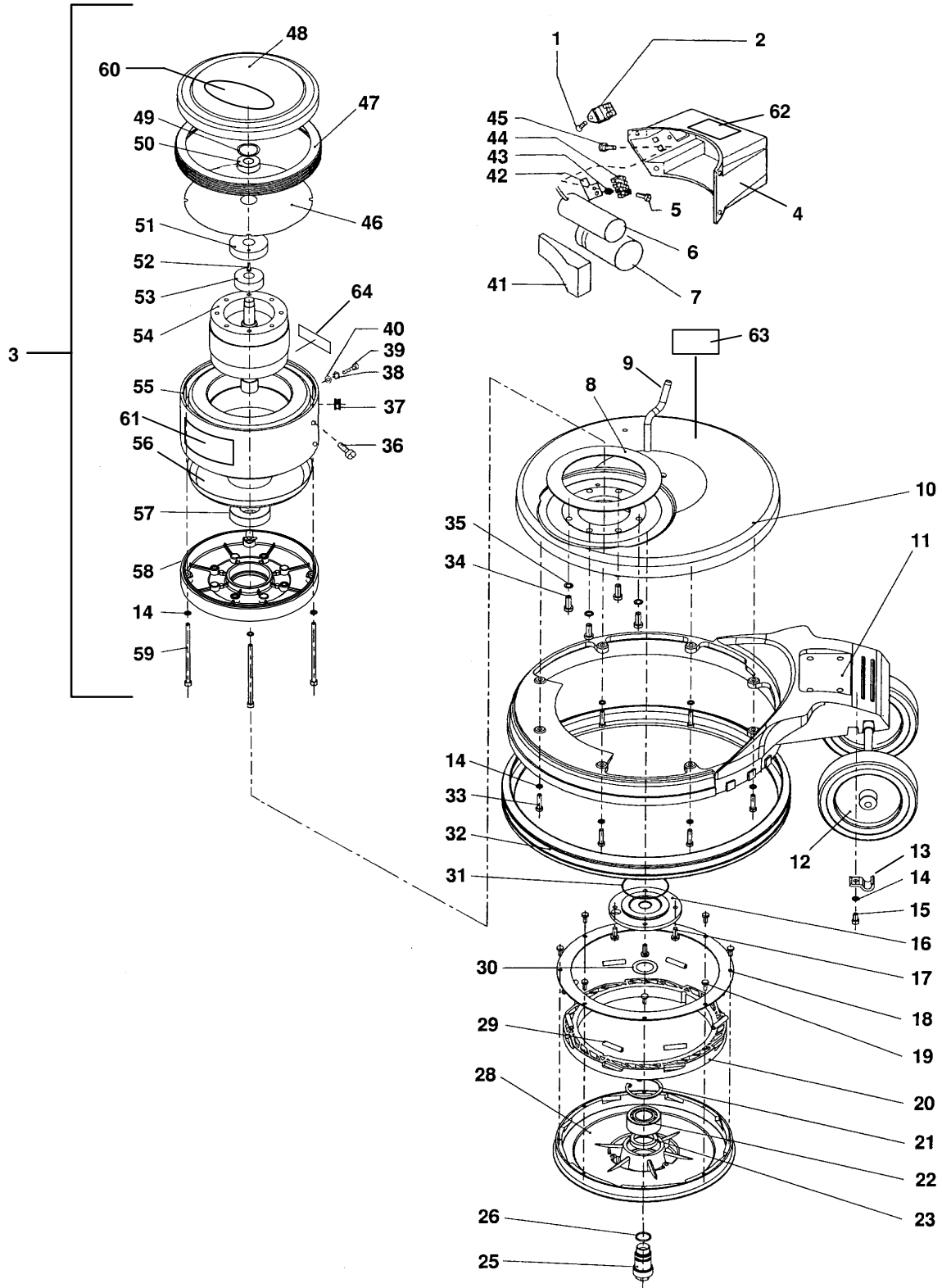
2100 BASE GROUP
GRUPO BASE

REF	PART #	DESCRIPTION	QTY.
1	608136	DECAL, TENNANT LOGO	1
2	99915532	CAP	1
3	99915536	●BUMPER RING	1
4	99946032	SCREW	2
5	99915528	COVER	1
6	99915526	WASHER	1
7	41359	NUT, HEX STD M06 X 1.0	4
8	08160	WASHER, LOCK IN M6	4
9	99915516	COVER	1
10	99915522	●DEEP GROOVE BALL BEARING	1
11	99915524	●RETAINER	1
12	99926096	INSULATION, STATOR	1
13	99927120	●PLATE, CONTACT	1
14	99929926	●SWITCH	1
15	99915512	ROTOR	1
16	99915634	SCREW	4
17	99915030	SPOUT	1
18	800331	●STATOR	1
19	99915642	WASHER	1
20	99917544	PLUG	1
21	99938548	●BEARING	1
22	09062	SCREW, FLT M06 X 1.0 X 16	3
23	99915136	WASHER	3
24	99927184	HOUSING	1
25	42368	●NUT, HEX STD M04 X 0.7	2
26	99915626	●BUMPER	1
27	99927942	PLUG	1
28	99915531	SCREW	2
29	99926012	●RECEPATCLE, PLUG	1
30	99916711	SCREW	4
31	613230	●HOUSING, CAPACITOR	1
32	99929292	●CAPACITOR, STARTING 110V	1

REF	PART #	DESCRIPTION	QTY.
33	613294	INSERT	1
34	99921704	SCREW	1
35	99915166	WASHER	1
36	99927944	TUBE	1
37	99923406	PIN	2
38	99916123	NUT	1
39	99916121	WASHER	1
40	99916506	RING	1
41	99918388	BOLT	2
42	99918292	WASHER	4
43	99920208	WASHER	6
44	613198	●WHEEL, GRAY PLASTIC	2
45	99922274	WASHER	1
46	99916130	RING	1
47	99927940	SHAFT	1
48	99915158	NUT	1
49	99915124	RING	1
50	99915122	●BEARING, BALL	1
51	99915126	RING	1
52	99915120	SCREW	6
53	99915116	RING	1
54	99915128	BUSHING	1
55	99915112	PIN	1
56	99915103	●TOOTHED RING	6
57	99915114	SPRING	1
58	801083	HOLDER, PAD	1
59	99915110	●ADAPTOR SLEEVE	2
60	99927026	SCREW	1
61	800373	DECAL, 2100	1
62	602597	DECAL, WARNING FLR MACH CSA	1
63	613286	DECAL, WARNING AC FLR MACH	1

● RECOMMENDED STOCK ITEMS

2120 BASE GROUP
GRUPO BASE



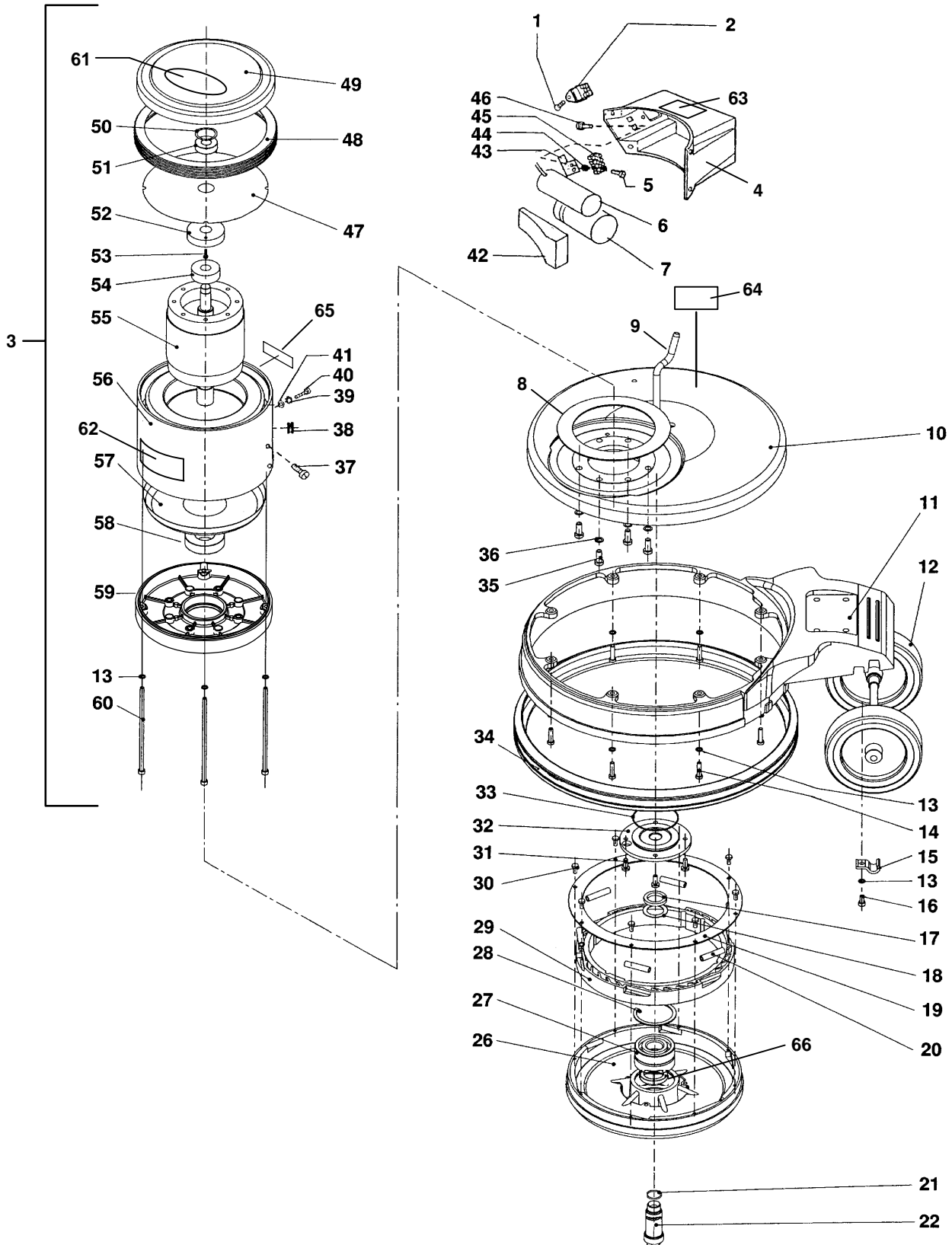
2120 BASE GROUP
GRUPO BASE

REF	PART #	DESCRIPTION	QTY.
1	99927026	SCREW	2
2	99926012	●PLUG	1
3	801346	ASSEMBLY, MOTOR	1
4	614010	●HOUSING, CAPACITOR	1
5	99920552	SCREW	2
6	613925	●CAPACITOR, OPERATING	1
7	99929292	●CAPACITOR, STARTING	1
8	801058	SEAL JOINT	1
9	801045	TUBE	1
10	801180	HOUSING	1
11	801061	FRAME	1
12	801059	●WHEEL-SET	1
13	801138	CLIP	1
14	08160	WASHER, LOCK IN M6	16
15	99922895	SCREW	1
16	801066	FLANGE	1
17	801120	SCREW	4
18	801135	RING	1
19	99946554	SCREW	8
20	801033	COLLAR	1
21	99916086	RING	1
22	613032	●BEARING	1
23	99916088	●RING	1
25	613070	SHAFT	1
26	613072	RING	1
28	801338	HOLDER, PAD	1
29	99915114	SPRING	8
30	99922381	WASHER	1
31	801131	RING	1
32	801076	●BUMPER	1
33	99915199	SCREW	8

REF	PART #	DESCRIPTION	QTY.
34	99931652	SCREW	4
35	39355	WASHER, LOCK INT M08	4
36	99916711	SCREW	4
37	99915030	SPOUT	1
38	99915166	WASHER	1
39	99921704	SCREW	1
40	99922274	WASHER	1
41	801047	INSERT	1
42	99927002	INSERT	1
43	99923370	BUSHING	2
44	1011631	BLOCK, CONNECTOR	1
45	99918446	PLUG	2
46	99926098	INSULATION, STATOR	1
47	99916030	●BUMPER	1
48	801263	COVER	1
49	99916196	WASHER	1
50	99916192	BEARING	1
51	99915183	●SWITCH	1
52	801162	SCREW	2
53	99929926	●SWITCH	1
54	801043	ROTOR	1
55	800332	●STATOR	1
56	99915384	WASHER	1
57	801089	BEARING	1
58	801252	COVER	1
59	99926286	SCREW	4
60	608136	DECAL, TENNANT LOGO	1
61	800375	DECAL, 2120	1
62	602597	DECAL, WARNING FLR MACH CSA	1
63	613286	DECAL, WARNING AC FLR MACH	1
64	-	DECAL, CSA CERTIFIED	1

● RECOMMENDED STOCK ITEMS

2130 / 2140 / 2150 BASE GROUP
GRUPO BASE



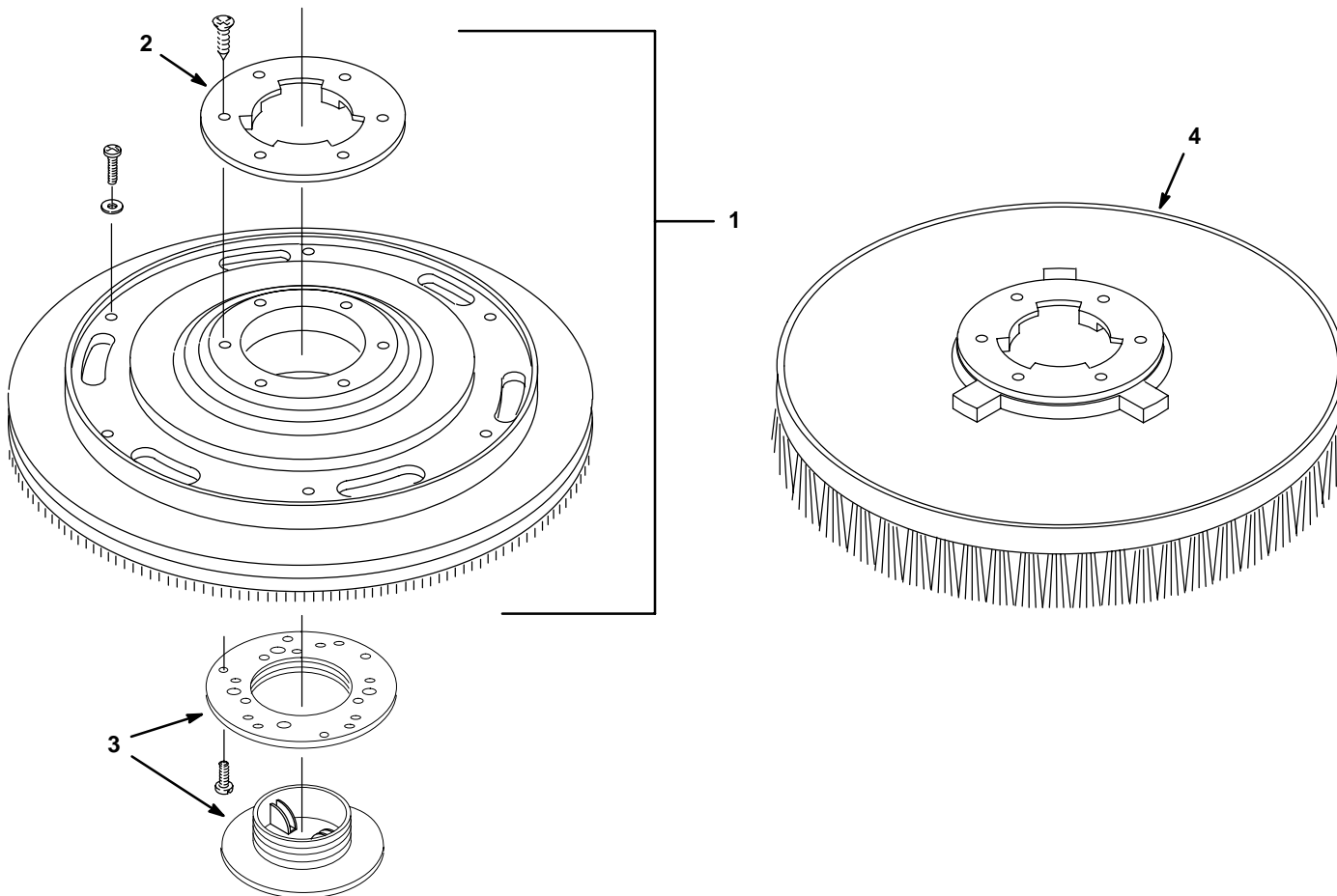
2130 / 2140 / 2150 BASE GROUP
GRUPO BASE

REF	PART #	DESCRIPTION	QTY.
1	99927026	SCREW	2
2	99926012	●PLUG	1
3	801336	ASSEMBLY, MOTOR (2130)	1
	801351	ASSEMBLY, MOTOR (2140, 2150)	1
4	614010	HOUSING, CAPACITOR	1
5	99920552	SCREW	2
6	613925	●CAPACITOR, OPERATING (2130)	1
99917147	99917143	●CAPACITOR, OPER (2140, 2150)	1
7	99929292	●CAPACITOR, START	1
8	801058	SEAL	1
9	801144	TUBE	1
10	801180	HOUSING	1
11	801062	FRAME (2130, 2150)	1
	801042	FRAME (2140)	1
12	801059	●WHEEL-SET	1
13	08160	WASHER, LOCK IN M6	16
14	99915199	SCREW	8
15	801138	●CLIP	1
16	99922895	SCREW	1
17	801072	RING	1
18	99922381	WASHER	1
19	801135	RING	1
20	99916466	SPRING	6
21	613072	RING	1
22	613071	SHAFT	1
26	801339	HOLDER, PAD	1
27	801311	BEARING	2
28	99916470	RING	1
29	801032	●COLLAR 1.18 High	1
30	99946554	SCREW	8
31	801120	SCREW	4
32	801066	FLANGE	1
33	801131	RING	1
34	801145	●BUMPER (2130, 2150)	1
	801076	●BUMPER (2140)	1
35	99931652	SCREW	4

● RECOMMENDED STOCK ITEMS

REF	PART #	DESCRIPTION	QTY.
36	39355	WASHER, LOCK INT M08	4
37	99916711	SCREW	4
38	99915030	SPOUT	1
39	99915166	WASHER	1
40	99921704	SCREW	1
41	99922274	WASHER	1
42	801047	INSERT	1
43	99927002	INSERT	1
44	99923370	BUSHING	2
45	99916568	BLOCK, CONNECTOR	1
46	99918446	PLUG	2
47	99926098	INSULATION, STATOR	1
48	99916030	●BUMPER	1
49	801263	COVER	1
50	99916196	WASHER	1
51	99916192	BEARING	1
52	99915183	●SWITCH	1
53	801162	SCREW	2
54	99929926	SWITCH	1
55	801335	ROTOR (2130)	1
	801097	ROTOR (2140, 2150)	1
56	800332	●STATOR (2130)	1
	800333	●STATOR (2140, 2150)	1
57	99915384	WASHER	1
58	801089	BEARING	1
59	801252	COVER	1
60	99926286	SCREW (2130)	4
	801088	SCREW (2140, 2150)	4
61	608136	DECAL, TENNANT LOGO	4
62	800379	DECAL, 2130	4
	800377	DECAL, 2140	4
	800381	DECAL, 2150	4
63	602597	DECAL, WARNING FLR MACH CSA	1
64	613286	DECAL, WARNING AC FLR MACH	1
65	-	DECAL, CSA CERTIFIED	1
66	99916088	SEAL, SHAFT	1

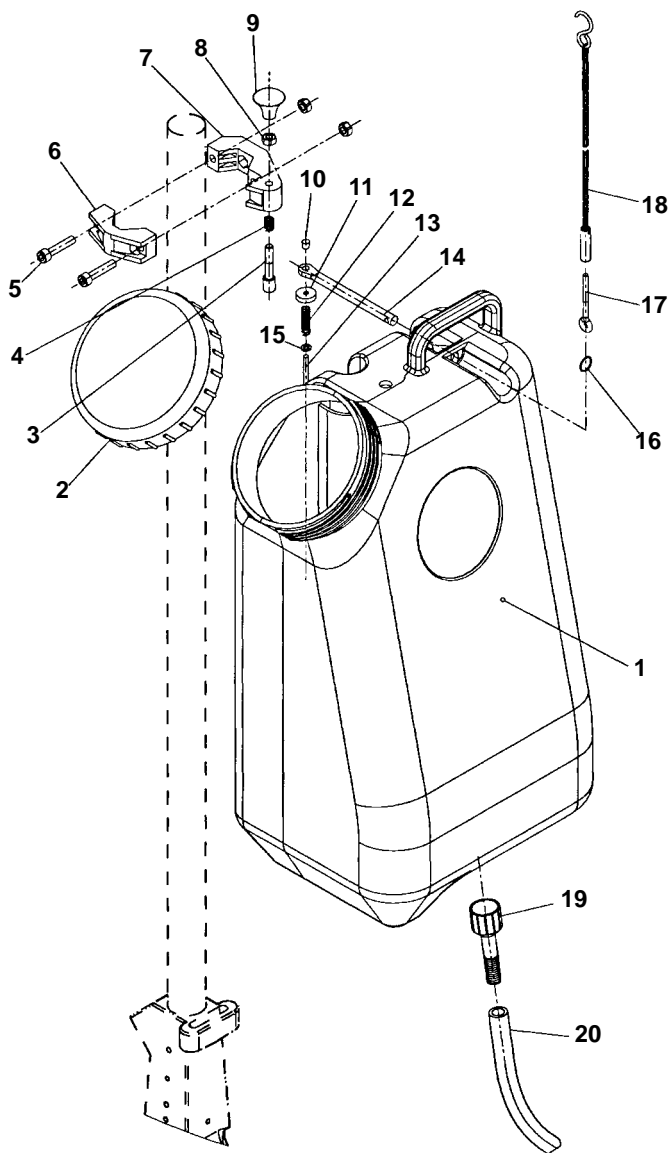
**REPLACEMENT BRUSHES AND PAD DRIVER GROUP
CEPILLO DEL REEMPLAZO Y GRUPO DEL MANDO DE LA ALMOHADILLA**



REF	PART #	DESCRIPTION	QTY
▽ 1	609788	ASM., PAD DRIVER 330MM (13") 2100	1
	605124	ASM., PAD DRIVER 432MM (17") 2120/2140	1
	605123	ASM., PAD DRIVER 508MM (20") 2130/2150	1
▽ 1	609792	BLOCK, WOOD SANDING 330MM (13") 2100	1
	600255	BLOCK, WOOD SANDING 432MM (17") 2120/2140	1
	600256	BLOCK, WOOD SANDING 508MM (20") 2130/2150	1
▲ 2	4184	PLATE, CLUTCH, METAL	1
	603539	PLATE, CLUTCH, PLASTIC	1
3	603538	●LOCK, CENTER (OPTIONAL)	1

REF	PART #	DESCRIPTION	QTY
4	609790	BRUSH, DYNA-SCRUB 330MM (11") 2100	1
	240255	BRUSH, DYNA-SCRUB 432MM (17") 2120/2140	1
	240257	BRUSH, DYNA-SCRUB 508MM (20") 2130/2150	1
4	609791	BRUSH, STRATA-GRIT 330MM (11") 2100	1
	240256	BRUSH, STRATA-GRIT 432MM (17") 2120/2140	1
	240258	BRUSH, STRATA-GRIT 508MM (20") 2130/2150	1
4	609789	BRUSH, ROTARY SHOWERFEED 330MM (11") 2100	1
	605117	BRUSH, ROTARY SHOWERFEED 432MM (17") 2120/2140	1
	605118	BRUSH, ROTARY SHOWERFEED 508MM (20") 2130/2150	1

**SOLUTION TANK GROUP
GRUPE DEL DEPÓSITO DE DISOLUCIÓN**



REF	PART #	DESCRIPTION	QTY
▽	801167	KIT, SOLUTION TANK	1
▲▽	1	800480 SOLUTION TANK W/ COVER	1
▲▲	2	99927951 COVER	1
▲	3	99924958 BOLT	1
▲	4	99924954 SPRING, COMPRESSION	1
▲	5	99921206 SCREW, SHCS	2
▲	6	99924308 COUNTER CLIP	1
▲	7	99927957 HOLDER, UPPER	1
▲	8	99915638 NUT	3
▲	9	99924964 KNOB	1
▲	10	99927956 END CAP	1

REF	PART #	DESCRIPTION	QTY
▲	11	99924464 NUT, KNURLED	1
▲	12	99927945 SPRING, COMPRESSION	1
▲	13	99924790 ROD	1
▲	14	1013288 ROD	1
▲	15	99920060 WASHER	1
▲	16	800320 RING	1
▲	17	99927962 HOOK	1
▲	18	801239 ASSEMBLY, CHAIN	1
▲	19	99941446 FITTING	1
▲	20	801166 HOSE	1

▽ ASSEMBLY

▲ INCLUDED IN ASSEMBLY